

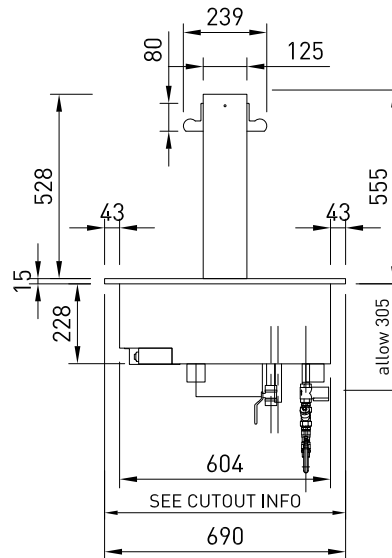
## CABINET DIMENSIONS & SPECIFICATIONS

MODEL	CABINET					PANS	WATER FILL	TEMP	DISPLAY AREA	POWER WITH OVERHEAD HEATING & LEDS		CONNECTION ELECTRICAL POWER CORD 3000MM	VOLTAGE	PACKED FOR SHIPPING			
	LENGTH [MM]	DEPTH [MM]	HEIGHT [MM]	WEIGHT [KG]	CUT OUTS					LITERS	DEG C			M2	KW 230V	AMPS	NZ/AUS/UK
LSBM3	1145	690	555	86	1120X635	3 x 1/1 65mm Gastro Pans	57	75 -95	0.53	3.45	15	20 AMP LEAD ONLY	220-240V	1250	770	670	86
LSBM4	1485	690	555	106	1460X635	4 x 1/1 65mm Gastro Pans	75	75 -95	0.73	4.30	18.7	30 AMP LEAD ONLY	220-240V	1590	770	670	106
LSBM5	1825	690	555	121	1800X635	5 x 1/1 65mm Gastro Pans	93	75 -95	0.92	5.75	25	30 AMP LEAD ONLY	220-240V	1930	770	670	121
LSBM6	2165	690	555	140	2140X635	6 x 1/1 65mm Gastro Pans	113	75 -95	1.10	6.56	28.5	40 AMP LEAD ONLY	220-240V	2270	770	670	140

### PRODUCT FEATURES

- Dual purpose used wet or dry
- Auto Fill - Dry elements
- Overhead halogen lights
- with adjustable dimmer
- Full size pans 65mm deep supplied ( max 100mm )

### LSBM LEFT SIDE ELEVATION



### GASTRO PANS

Units supplied with 1/1 pans at 65mm deep, max pan depth is 100mm

### ELECTRICAL POWER

Electrical power cord 3000mm 1 phase connection required. Unit must be hard wired on site to isolation switch.

### WATER DRAINAGE

Screw on stop cock valve drain pipe Ideally drain connected to waste. Overflow flexible waste pipe 19mm dia.1000 mm length from spigot must be connected to waste.

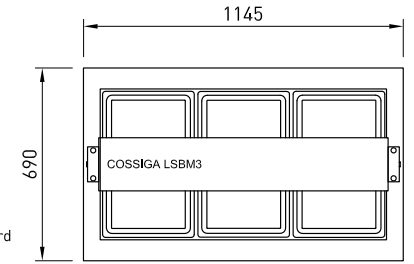
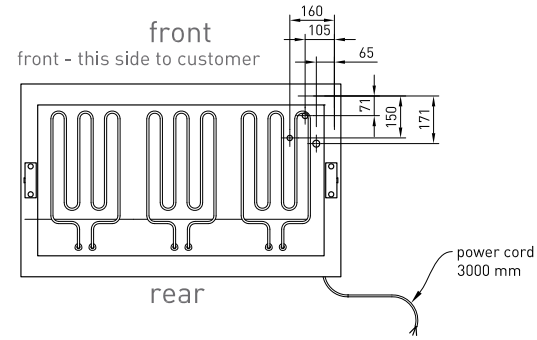
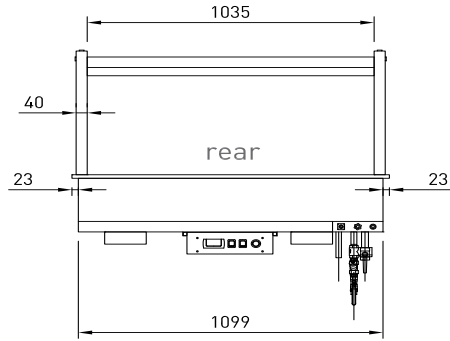
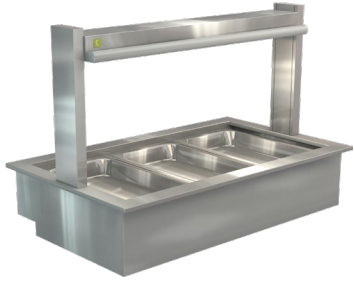
# INDUSTRY KITCHENS

www.industrykitchens.com.au 1800 611 058

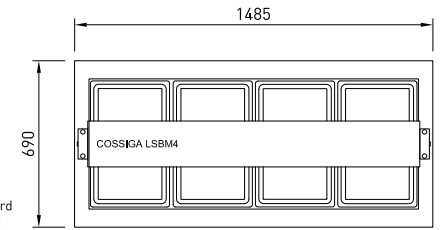
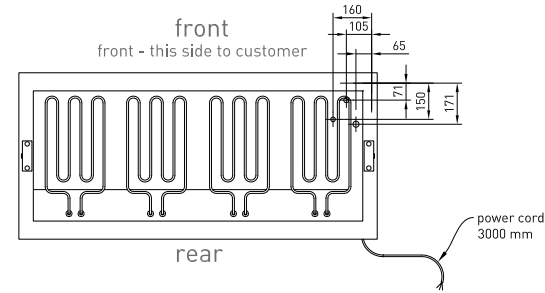
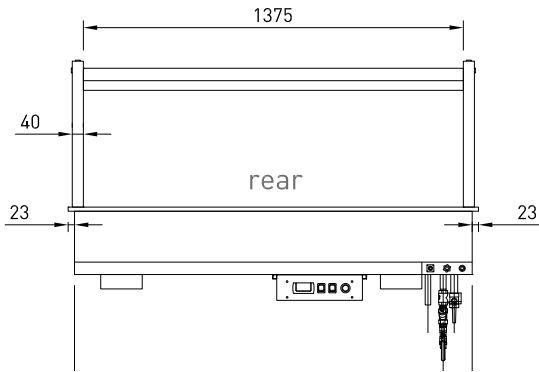
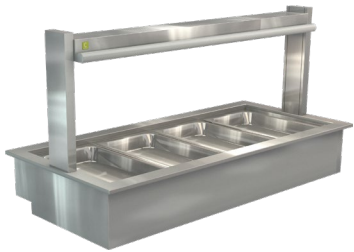
### ASSEMBLY REQUIRED

Prior to installation see, installation guidelines, ventilation requirements and drainage options documents

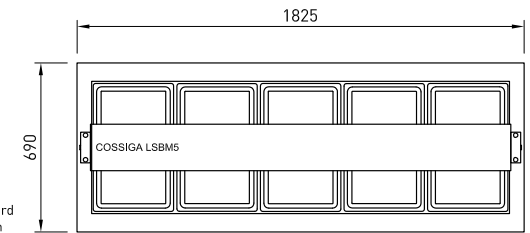
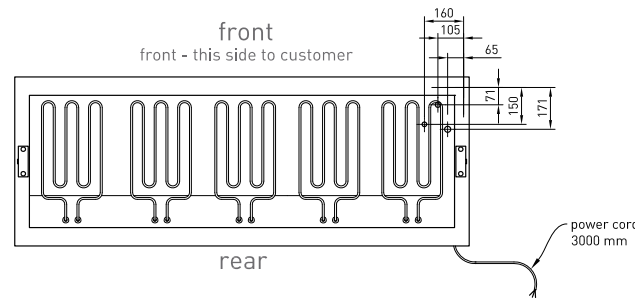
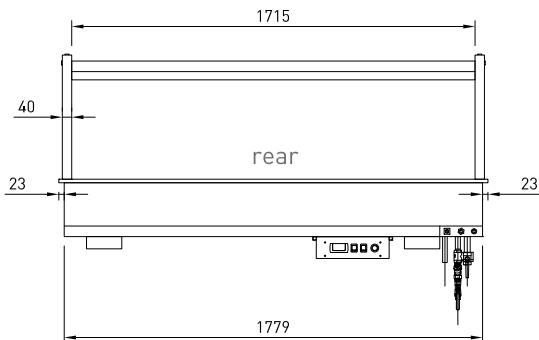
## LSBM3



## LSBM4

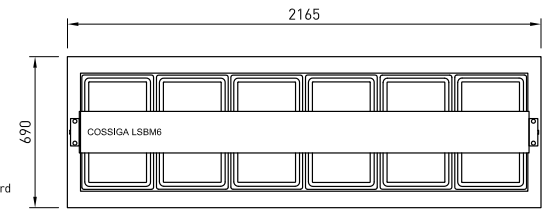
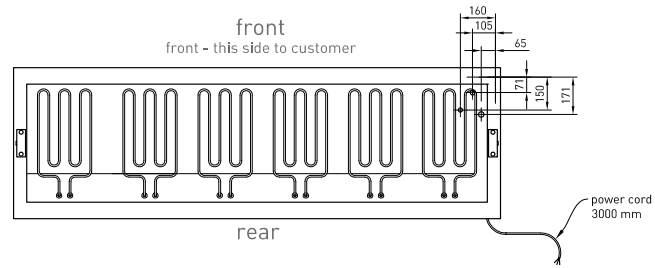
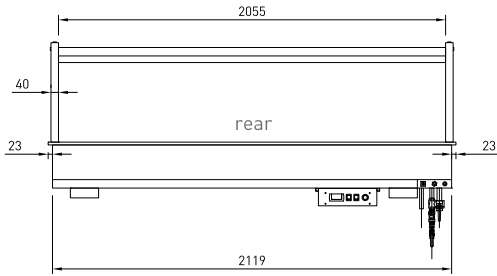
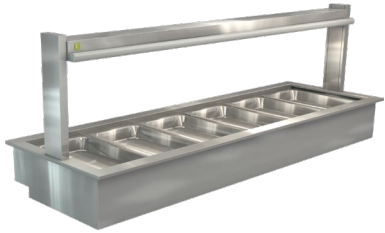


## LSBM5



ASSEMBLY REQUIRED

## LSBM6



ASSEMBLY REQUIRED