

# Convotherm maxx pro easyTouch Combi Steamer

## CXGST20.20D GAS DIRECT STEAM 40 x 1/1GN or 20 x 2/1 GN

- Direct steam system
- Natural Smart Climate™ (ACS+) cooking methods: Steam, Combi-steam, Convection
- Natural Smart Climate™ extra functions:
  - Crisp&Tasty - 5 moisture-removal settings
  - BakePro – 5 levels of traditional baking
  - HumidityPro - 5 humidity settings
  - Controllable fan – 5 speed settings
- easyTouch 10" TFT HiRes glass touch display (capacitive)
- ConvoClean+ fully automatic cleaning system with eco, regular and express modes, including optional single-dose dispensing
- HygieniCare
- WiFi and Ethernet interface (LAN)
- USB port integrated in the control panel
- Steam generated by injecting water into the oven chamber
- Double glazed appliance door
- Right-hinged appliance door
- Disappearing door



### Standard Features

- Cooking methods:
  - Steam (30-130°C) with guaranteed steam saturation
  - Combi-steam (30-250 °C) with automatic moisture control
  - Convection (30-250 °C) with optimised heat transfer
- Operation of easyTouch user interface:
  - 10" TFT HiRes glass touch display (capacitive)
  - Smooth-action, quick reacting scrolling function
- Climate Management
  - Natural Smart Climate™ (ACS+), HumidityPro, Crisp&Tasty
- Quality Management
  - Airflow Management, BakePro, Multi-point core temperature probe
  - Preheat and cool down function
- Production Management
  - Automatic cooking with Press&Go with up to 399 cooking profiles
  - Integrated cookbook with 7 different categories
  - TrayTimer – load management for different products at the same time (manual mode)
  - TrayView – load management for automatic cooking of different products using Press&Go
  - Favourites management
  - HACCP data storage
  - USB port
  - ecoCooking – energy-save function
  - LT cooking (low temperature cooking) / Delta-T cooking
  - Cook&Hold – cook and hold in one process
  - Autostart
  - Regenerate+ - flexible multi-mode rethermalisation function with preselect
- Cleaning Management:
  - ConvoClean+ - fully automatic cleaning system
  - Quick access to individually created and saved cleaning profiles
  - Cleaning scheduler
  - FilterCare interface

- HygieniCare: safety by antibacterial surfaces
  - Hygienic Steam Function
  - Hygienic Handles
  - SteamDisinfect
- Door handle with sure-shut function
- Adjustable appliance feet, from 100 mm to 125 mm
- Integrated recoil hand shower
- Device status ground LED
  - Green = cooking and flashing "end of cooking"
  - Yellow = pre-heat and open door
  - Red = error
- Wheel-in rails with optimal shape and colour coding
- Integrated preheat bridge

### Options

- Steam and vapour removal (built-in condensation hood)
- Sous-vide sensor, with external socket
- Core temperature sensor, with external socket
- Available in various voltages
- Quality Management: ConvoSmoke – built-in food-smoking function (Hot-Smoke – loading capacity reduced)
- Prison Version

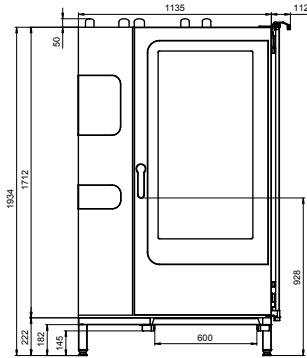
### Accessories

- ConvoLink – HACCP and cooking profile management PC software
- Banquet system package: plate rack, mobile shelf rack, transport trolley, thermal cover (individual items are available)
- Care products for ConvoClean+ fully automatic cleaning system (multiple and single-dose dispensing)
- 3rd front foot: stability and height compensation
- Signal Tower – external operating state indicator
- Production Management: KitchenConnect (Wifi/LAN) network solution from Welbilt for updating and monitoring appliances from anywhere

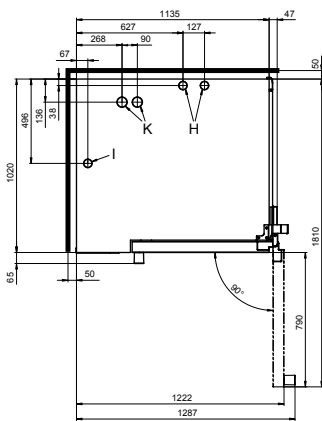
# Convotherm maxx pro easyTouch Combi Steamer

## CXGST20.20D GAS DIRECT STEAM 40 x 1/1GN or 20 x 2/1 GN

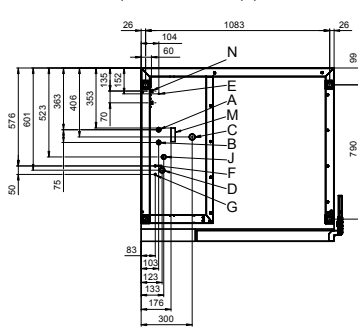
Front view



View from above with wall clearances



Connection positions in appliance floor



- A Water connection (for water injection)
- B Water connection (for cleaning, recoil hand shower)
- C Drain connection DN 50
- D Electrical connection
- E Equipotential bonding
- F Rinse aid connection
- G Cleaning agent connection
- H Air vent Ø 50 mm
- I Dry air intake Ø 50 mm
- J Gas supply
- K Exhaust outlet Ø 60.3 mm
- M Safety overflow 80 mm x 25 mm
- N RJ45 Ethernet port (optional)

### DIMENSIONS

Width	1247 mm
Depth	1020 mm
Height	1934 mm
Weight	379kg

### PACKED DIMENSIONS

Width	1410 mm
Depth	1170 mm
Height	2150 mm
Weight (including cleaning system)	427 kg

### Safety clearances\*

Rear	50 mm
Right	50 mm
Left (larger recommended for servicing)	50 mm
Top (for ventilation)	1000 mm

\*Heat sources must lie at a minimum distance of 500 mm from the appliance.

### INSTALLATION REQUIREMENTS

For precise installation instructions please refer to the units installation manual

### LOADING CAPACITY

Max. number of food containers	
Shelf distance	68mm
GN 1/1 (with standard loading trolley)	40
GN 2/1 (with standard loading trolley)	20
Max. loading weight GN 1/1 / 600 x 400	
Per combi steamer	180 kg
Per shelf	15 kg

### ELECTRICAL SUPPLY

1N~ 230-240V 50/60Hz (1P+N+E)	
Rated power consumption	1.1 kW
Rated current	4.3 A
Fuse	16 A
RCD (GFCI), frequency converter	Type A (single phase)
(recommended), type B/F (optional)	Cordset fitted

### 3 Pin plug (10 Amp)

### GAS SUPPLY

Gas Connection for natural or LPG	R3/4
Installation conditions	customer premise
Nominal gas consumption	230 MJ/hr
Convection power output	230 MJ/hr

### Supply flow pressure

Natural gas	1.13 kPa – 3 kPa
LPG	2.75 kPa – 4 kPa

### WATER CONNECTION

Water supply	2 x G 3/4" permanent connection, optionally including connecting pipe (min. DN13 / 1/2")
Flow pressure	150 - 600 kPa (1.5 - 6 bar)
Appliance drain	Permanent connection (recommended) or funnel waste trap
Drain version	DN50 (min. internal Ø: 46 mm)
Type	min. 3.5% (2°)
Slope for waste-water pipe	

### WATER QUALITY

Drinking water	(install water treatment system if necessary)
Treated tap water for water injection	
Untreated tap water for cleaning, recoil hand shower	

### Total hardness

Injection (soft water)	4-7 °dh / 70-125 ppm / 7-13 °TH / 5-9 °e
Cleaning, recoil hand shower (hard water)	4-20 °dh / 70-360 ppm / 7-35 °TH / 5-25 °e

### Properties

pH	6.5 - 8.5
Cl <sup>-</sup> (chloride)	max. 60 mg/l
Cl <sub>2</sub> (free chlorine)	max. 0.2 mg/l
SO <sub>4</sub> <sup>2-</sup> (sulphate)	max. 150 mg/l
Fe (iron)	max. 0.1 mg/l
SiO <sub>2</sub> (silicate)	max. 13 mg/l
NH <sub>2</sub> Cl (monochloramine)	max. 0.2 mg/l
Temperature	max. 40°C
Electrical conductivity	min. 20 µS/cm

### EMISSIONS

Heat output	
Latent heat	12200 kJ/h / 3.39 kW
Sensible heat	15400 kJ/h / 4.28 kW
Waste water temperature	max. 80 °C
Noise during operation	max. 70 dBA



Australia  
moffat.com.au

New Zealand  
moffat.co.nz

Australia  
Moffat Pty Limited

Victoria/Tasmania  
740 Springvale Road  
Mulgrave, Victoria 3170  
Ph 03-9518 3888  
Fax 03-9518 3833  
vsales@moffat.com.au  
www.moffat.com.au

New South Wales  
Ph 02-8833 4111  
nswsales@moffat.com.au

South Australia  
Ph 03-9518 3888  
vsales@moffat.com.au

Queensland  
Ph 07-3630 8600  
qldsales@moffat.com.au

Western Australia  
Ph 08-9413 2400  
wasales@moffat.com.au

New Zealand  
Moffat Limited

Christchurch  
45 Illinois Drive  
Izone Business Hub  
Rolleston 7675  
New Zealand  
Telephone +64 3-983 6600  
Facsimile +64 3-983 6660  
sales@moffat.co.nz

Auckland  
Ph +64 9-574 3150  
sales@moffat.co.nz

In line with policy to continually develop and improve its products, Moffat Limited reserves the right to change specifications and design without notice.

© Copyright Moffat Ltd  
AN.CON.S.01.23

