

Commercial Tapware



Single Wall Mount Pre-Rinse Unit with Pot Filler

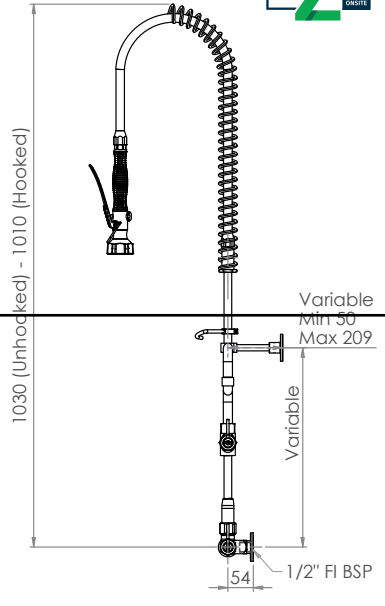


T-3M53706 – 6" pot filler

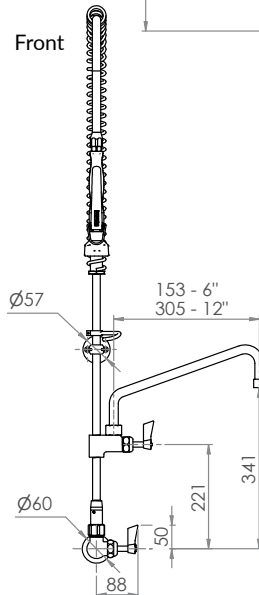
T-3M53712 – 12" pot filler

- Full S/S construction
- Single control tap for single temperature, cold or pre-mixed water
- Equipped with a water saving 6 star 4.5LPM variable trigger valve
- Available with 6" or 12" pot filler – 4 star 7.5LPM
- Fully assembled and bench tested, with a unique traceable serial number
- Working pressure range 150kPa-500kPa
- Maximum operating temperature 80 degrees

Side



Front



Top

