

# Commercial Tapware



## Single Bench Mount Pre-Rinse Unit with Pot Filler

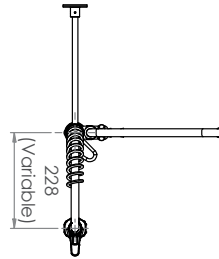
T-3M53106 – 6" pot filler

T-3M53112 – 12" pot filler

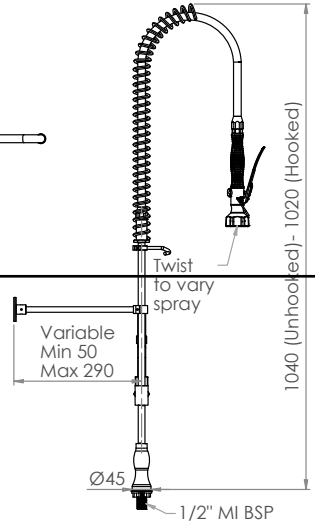
- Full S/S construction
- Single control tap for single temperature, cold or pre-mixed water
- Equipped with a water saving 6 star 4.5LPM variable trigger valve
- Available with 6" or 12" pot filler – 4 star 7.5LPM
- Fully assembled and bench tested, with a unique traceable serial number
- Working pressure range 150kPa-500kPa
- Maximum operating temperature 80 degrees



Top



Side



Front

