

# Commercial Tapware



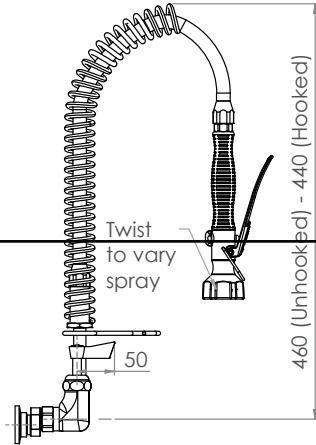
## Compact Exposed Wall Mount Pre-Rinse Unit



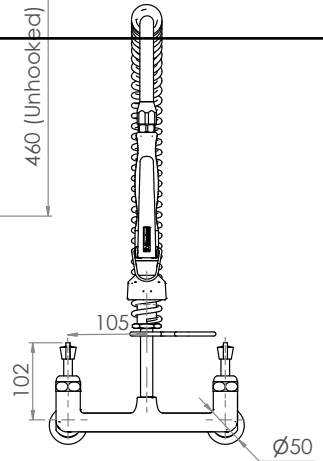
### T-3M53430-C

- Full S/S construction
- Compact model designed for applications where space saving is a priority
- Equipped with a water saving 6 star 4.5LPM variable trigger valve
- Wall bracket included
- Fully assembled and bench tested, with a unique traceable serial number
- Working pressure range 150kPa-500kPa
- Maximum operating temperature 80 degrees

Side



Front



Top

