

## PRODUCT FEATURES

- Single ceramic heated glass
- Digital thermostatic controller
- Heat indicating LED lights on panel
- Flush mount drop in module

## CERAMIC TOP

UNIT DIMENSIONS & SPECIFICATIONS				Bench cut out hole size	Heating	Operating Current	Connection	Voltage
Model	Length mm	Depth mm	Height mm					50/60 Hertz
LSSC	570	365	1.5mm	545 x 338	Ceramic Glass 1 x panel	2.7 Amp	10amp 3 pin plug	240V

## SPECIFICATIONS

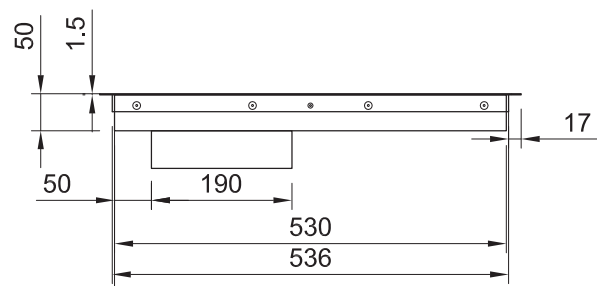
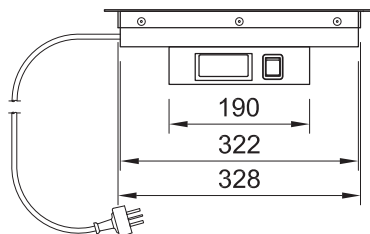
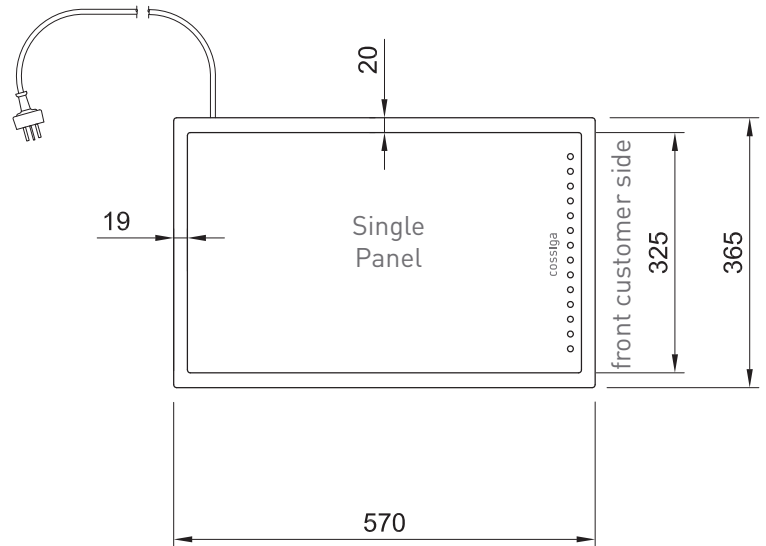
### ELECTRICAL POWER

Electrical power cord 3000mm  
3 pin 10 amp 1 phase socket required  
Single controller



# INDUSTRY KITCHENS

[www.industrykitchens.com.au](http://www.industrykitchens.com.au) 1800 611 058

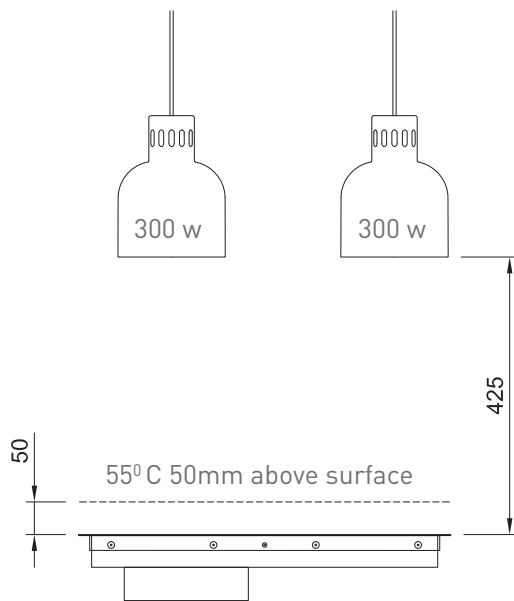




## SINGLE CERAMIC

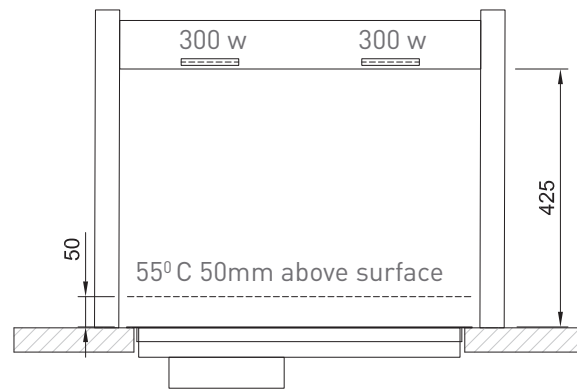
- Single ceramic heated glass
- Digital thermostatic controller
- Heat indicating LED lights on panel
- Flush mount drop in module

## OVERHEAD LAMP OPTION -by others



## COSSIGA OVERHEAD GANTRY

For matching overhead heat source to match Cossiga supplied gantry use 300 watt halogen bulb



## HEAT SPREAD

Check heat spread from chosen overhead heat source

