

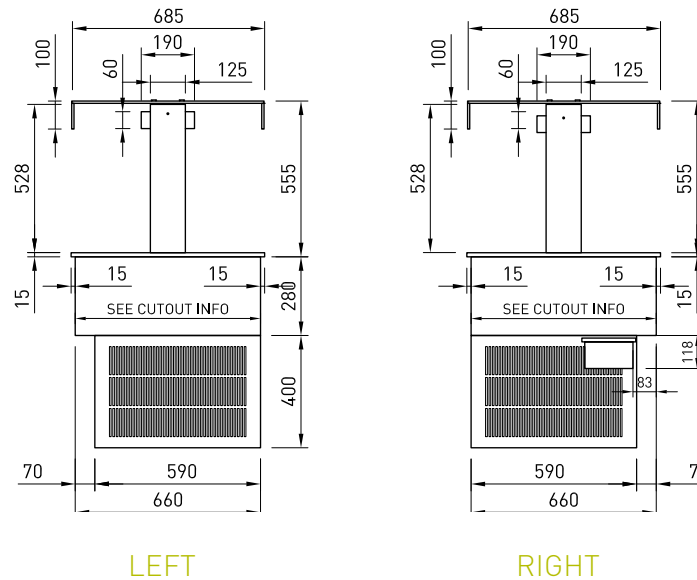
CABINET DIMENSIONS & SPECIFICATIONS

MODEL	CABINET				BENCH TOP CUT OUT HOLE SIZE	PANS	TEMP RANGE	REFRIGERANT	FREQUENCY	POWER		CONNECTION ELECTRICAL POWER CORD 3000MM		VOLTAGE	PACKED FOR SHIPPING			
	LENGTH [MM]	DEPTH [MM]	HEIGHT [MM]	WEIGHT [KG]						DEG C	KW 230V	AMPS	NZ 10 AMP		UK 13 AMP	LENGTH [MM]	DEPTH [MM]	HEIGHT [MM]
LSRF3-FT	1145	690	555	158	1125x670	3 x 1/1 65mm Gastro Pans	2-5	R290	50 HZ	0.92	4.5	3 PIN PLUG	3 PIN PLUG	220-240V	1250	770	1060	158
LSRF4-FT	1485	690	555	197	1465x670	4 x 1/1 65mm Gastro Pans	2-5	R290	50 HZ	0.92	4.5	3 PIN PLUG	3 PIN PLUG	220-240V	1590	770	1060	197
LSRF5-FT	1825	690	555	233	1805x670	5 x 1/1 65mm Gastro Pans	2-5	R290	50 HZ	0.92	4.8	3 PIN PLUG	3 PIN PLUG	220-240V	1930	770	1060	233
LSRF6-FT	2165	690	555	276	2145x670	6 x 1/1 65mm Gastro Pans	2-5	R290	50 HZ	1.15	5.5	3 PIN PLUG	3 PIN PLUG	220-240V	2270	770	1060	276

PRODUCT FEATURES

- Deck forced refrigeration
- Canopy LED light
- Integral condenser
- Self evaporating
- 65mm deep full size pan supplied
- Foam insulated double skin base

LSRF-FT SIDE ELEVATIONS



GASTRO PANS

Units supplied with 1/1 pans at 65mm deep, max pan depth is 100mm

ELECTRICAL POWER

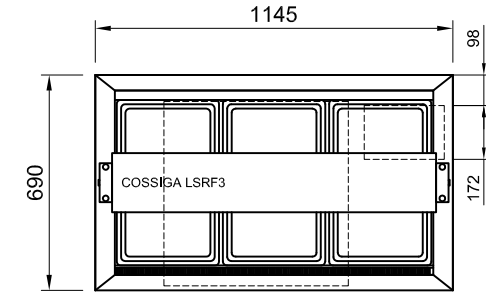
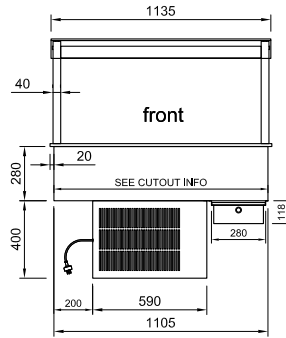
Electrical power cord 2200mm
 3 pin 10 amp 1 phase socket required.
 Maximum ambient operation temperature climate class N max 32° C.

ASSEMBLY REQUIRED

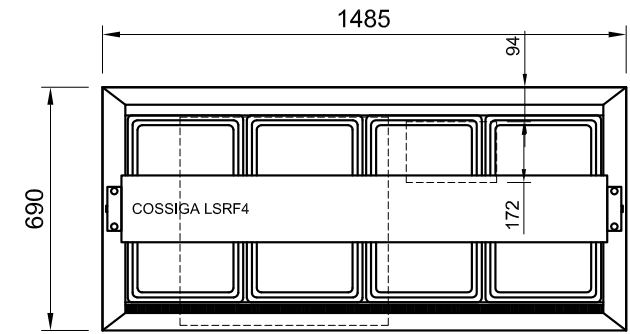
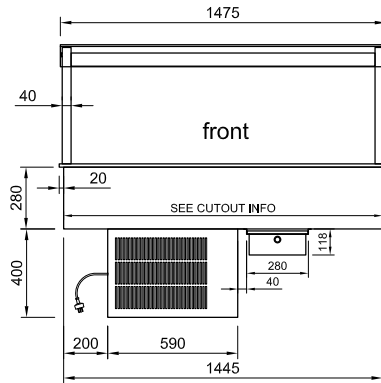
Prior to installation see, installation guidelines, ventilation requirements and drainage options documents

LSRF-FT LINEAR SERIES - CHILLED WELL - Flat Top Sneeze Guard

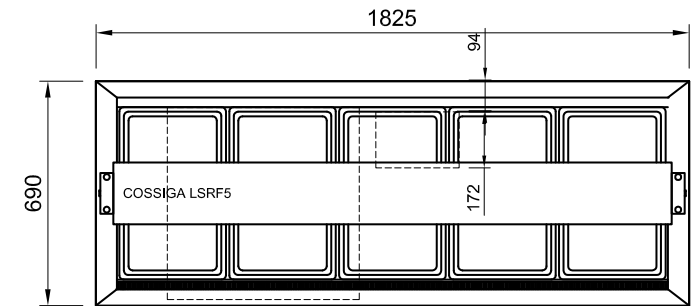
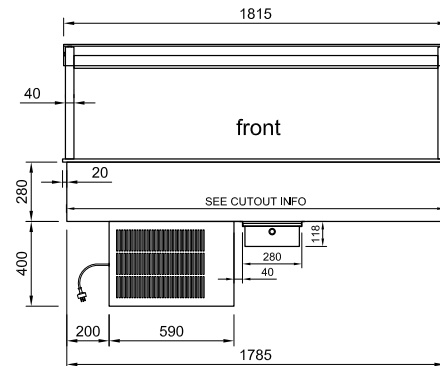
LSRF3-FT



LSRF4-FT



LSRF5-FT



ASSEMBLY REQUIRED