

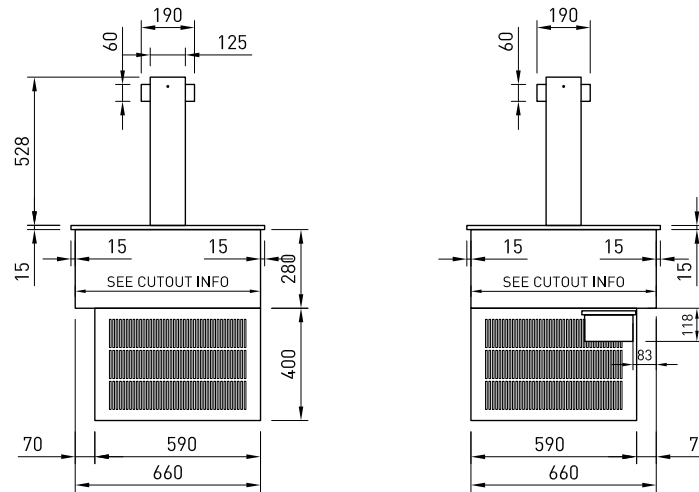
### CABINET DIMENSIONS & SPECIFICATIONS

MODEL	CABINET				BENCH TOP CUT OUT HOLE SIZE	PANS	TEMP RANGE	REFRIGERANT	FREQUENCY	POWER		CONNECTION ELECTRICAL POWER CORD 3000MM		VOLTAGE	PACKED FOR SHIPPING			
	LENGTH [MM]	DEPTH [MM]	HEIGHT [MM]	WEIGHT [KG]						DEG C	KW 230V	AMPS	NZ 10 AMP		UK 13 AMP	LENGTH [MM]	DEPTH [MM]	HEIGHT [MM]
LSRF3	1145	690	555	128	1125x670	3 x 1/1 65mm Gastro Pans	2-5	R290	50 HZ	0.92	4.5	3 PIN PLUG	3 PIN PLUG	220-240V	1250	770	1060	128
LSRF4	1485	690	555	152	1465x670	4 x 1/1 65mm Gastro Pans	2-5	R290	50 HZ	0.92	4.5	3 PIN PLUG	3 PIN PLUG	220-240V	1590	770	1060	152
LSRF5	1825	690	555	179	1805x670	5 x 1/1 65mm Gastro Pans	2-5	R290	50 HZ	0.92	4.8	3 PIN PLUG	3 PIN PLUG	220-240V	1930	770	1060	179
LSRF6	2165	690	555	201	2145x670	6 x 1/1 65mm Gastro Pans	2-5	R290	50 HZ	1.15	5.5	3 PIN PLUG	3 PIN PLUG	220-240V	2270	770	1060	201

### PRODUCT FEATURES

- Deck forced refrigeration
- Canopy LED light
- Integral condenser
- Self evaporating
- 65mm deep full size pan supplied
- Foam insulated double skin base

### LSRF SIDE ELEVATIONS



LEFT

RIGHT

### GASTRO PANS

Units supplied with 1/1 pans at 65mm deep, max pan depth is 100mm

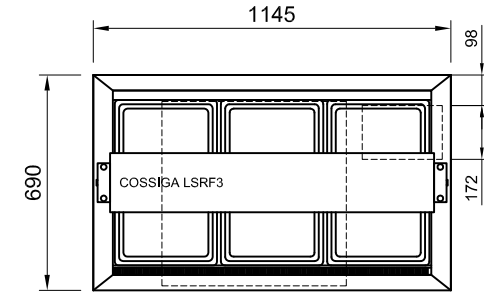
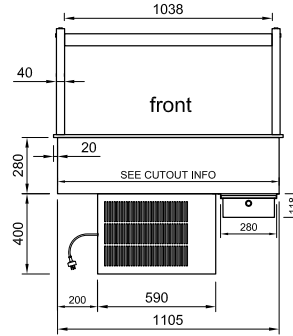
### ELECTRICAL POWER

Electrical power cord 2200mm  
3 pin 10 amp 1 phase socket required.  
Maximum ambient operation temperature climate class N max 32° C.

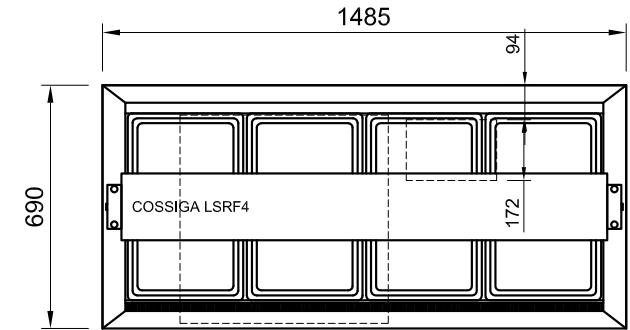
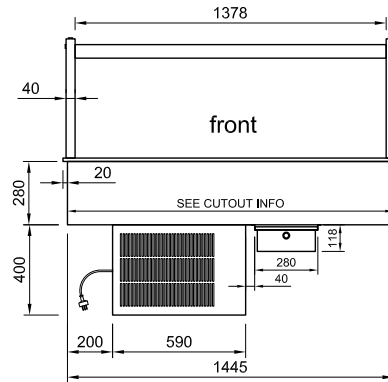
### ASSEMBLY REQUIRED

Prior to installation see, installation guidelines, ventilation requirements and drainage options documents

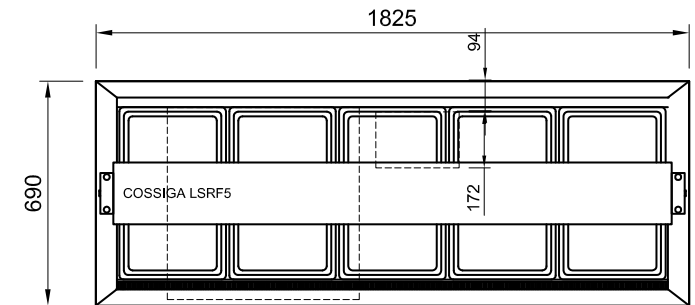
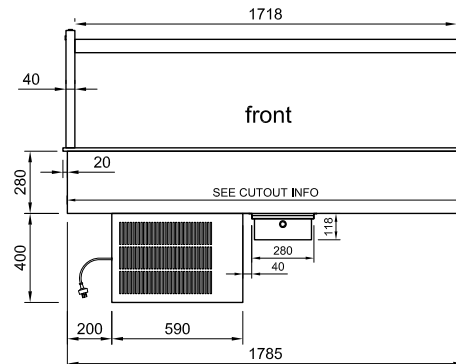
LSRF3



LSRF4



LSRF5



**ASSEMBLY REQUIRED**