



# CUTTER-EMULSIFIER CKE-5 230/50-60/1

Capacity of the bowl: 5 lt. (5¼ qt.). Variable speed appliance. Control panel with timer.



P/N 1050140



## FEATURES AND BENEFITS

- ✓ Specially designed to work with liquids.
- ✓ Cover design allows liquids to be added while in operation.
- ✓ Adjustable speed.
- ✓ Three modes of use: continuous, timer or pulse function.
- ✓ Unique “Cut&Mix” scraper included.
- ✓ Stainless steel construction and highest quality material, all suitable for contact with food.
- ✓ It consists of a variable speed motor block with a regular hopper and a 5 lt. (5¼ qt.) food processor bowl complete with a hub with serrated blades.
- ✓ Strong, very easy to use and clean.
- ✓ High production. Ventilated motor allowing continuous use.
- ✓ User-friendly, waterproof led-lit control panel.
- ✓ Allows programming by time and includes a pulse switch
- ✓ Complete with “Cut&Mix” scraper.

## SALES DESCRIPTION

Consists of a motor block and a 5 lt. (5¼ qt.) bowl and a hub with serrated blades.

## INCLUDES

- ✓ Motor block. with serrated blades.
- ✓ 5 bowl complete with a hub ✓ “Cut&Mix” scraper.

## ACCESSORIES

- Blades for CK/CKE
- “Cut&Mix” Scrapers CK/CKE



**sammic** | www.sammic.com  
Food Service Equipment Manufacturer

Polígono Basarte, 1. phone +34 943 15 72 36  
20720 Azkoitia, Spain sales@sammic.com



Project	Date
Item	Qty
Approved	

DYNAMIC PREPARATION  
CUTTER-MIXERS & EMULSIFIERS

product sheet  
updated 18/05/2019



# CUTTER-EMULSIFIER CKE-5 230/50-60/1

Capacity of the bowl: 5 lt. (5¼ qt.). Variable speed appliance. Control panel with timer.



P/N 1050140

## SPECIFICATIONS

Electrical supply: 230 V / 50-60 Hz / 1 ~

Plug: EU

Bowl capacity: 5.5 l

Bowl dimensions: Ø240 mm x 150 mm

Total loading: 1250 W

Speed, min-max: 385 rpm - 3000 rpm

### External dimensions (WxDxH)

✓ Width: 284 mm

✓ Depth: 374 mm

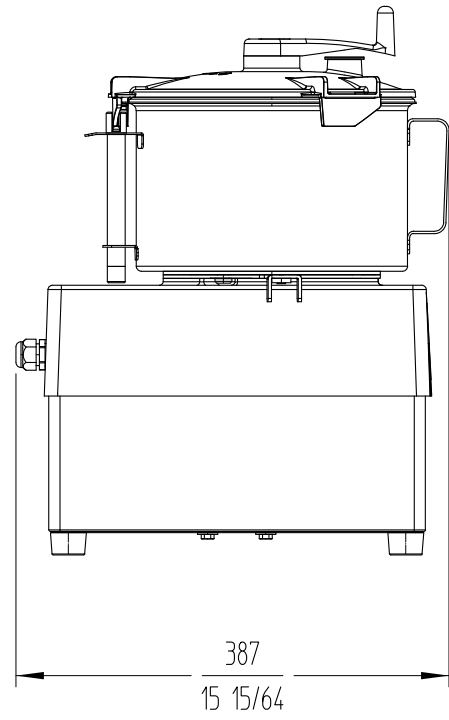
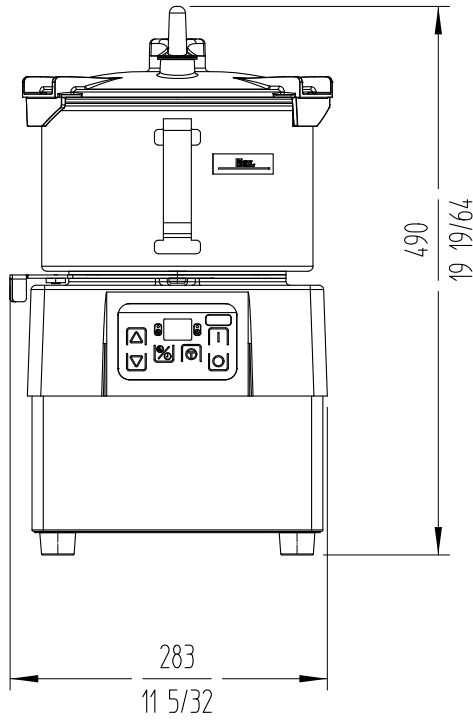
✓ Height: 439 mm

Net weight: 22.4 Kg

### Crated dimensions

450 x 360 x 580 mm

Gross weight: 27.4 Kg.



DYNAMIC PREPARATION  
CUTTER-MIXERS & EMULSIFIERS

**sammic** | www.sammic.com  
Food Service Equipment Manufacturer

Polígono Basarte, 1.  
20720 Azkoitia, Spain

phone +34 943 15 72 36  
sales@sammic.com



Project

Date

Item

Qty

Approved

product sheet  
updated 18/05/2019