



COMBI VEGETABLE PREP-CUTTER CK-401 230/50-60/1

2 in 1: large production veg prep machine (650 kg/h) with 5 lt. / 5 1/4 qt. cutter bowl



P/N 1050330



SALES DESCRIPTION

It consists of a variable speed motor block with a large production hopper and a 5 litre / 5 1/4 qt. food processor bowl complete with a hub with serrated blades.

FEATURES AND BENEFITS

As vegetable preparation machine, its lateral blade distributes products in the hopper, cutting and distributing full products like cabbage. It is supplied complete with an optional core drill for the same purpose. The hopper is equipped with a high positioned ejector disc allowing to eject a bigger product quantity.

Discs are not included*.

- ✓ User-friendly, waterproof led-lit control panel.
- ✓ Hopper, lid and bowl easily detachable for interchanging or cleaning.
- ✓ Automatic hopper detection.

AS VEGETABLE PREPARATION MACHINE:

- ✓ Machine and discs specially designed to obtain the perfect cut.
- ✓ Adjustable speed (5 positions).
- ✓ Ergonomic design.
- ✓ Central blade to slice open larger food products: maximum efficiency.
- ✓ Lateral shootout: needs less counter space and allows a more natural workflow (left to right).
- ✓ High profile ejection disc for larger output.

AS FOOD PROCESSOR

- ✓ Adjustable speed (10 positions), programmable by time and pulse switch.
- ✓ 5 qt. stainless steel food processor bowl.
- ✓ Polycarbonate lid complete with scraper that allows consistent and homogeneous mixing and avoids product overheating.
- ✓ Optional flat blade set for raw meat and fibrous products.
- ✓ Optional perforated blade set specially designed to beat and mix.

INCLUDES

- ✓ Variable speed motor block.
- ✓ Large capacity hopper.
- ✓ Food processor bowl complete with hub with serrated blades.

ACCESSORIES

- FC Slicing Disc
- FCC Curved Slicing Discs
- FCO Rippled Slicing Discs
- FF Chipping Grids
- FM Dicing Grids
- FFC Chipping Grids
- FMC Dicing Grids
- FCE Julienne Discs
- FR/SH Shredding & Grating Discs
- Long vegetable attachment
- Disc and Grid Holder Device



sammic | www.sammic.com
Food Service Equipment Manufacturer

Polígono Basarte, 1. phone +34 943 15 72 36
20720 Azkoitia, Spain sales@sammic.com



Project	Date
Item	Qty
Approved	

DYNAMIC PREPARATION
FOOD PROCESSOR / VEG PREP COMBI MACHINES

product sheet
updated 30/05/2019



COMBI VEGETABLE PREP-CUTTER CK-401 230/50-60/1

2 in 1: large production veg prep machine (650 kg/h) with 5 lt. / 5 1/4 qt. cutter bowl



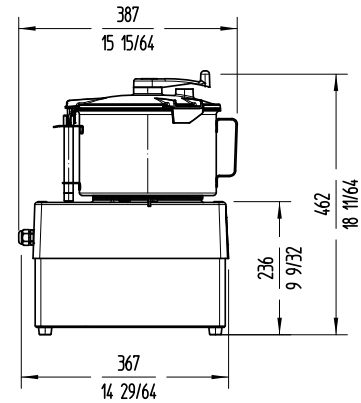
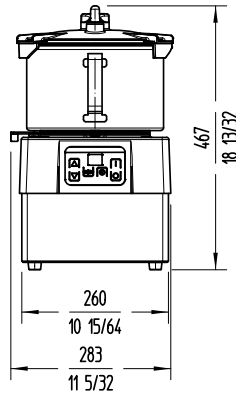
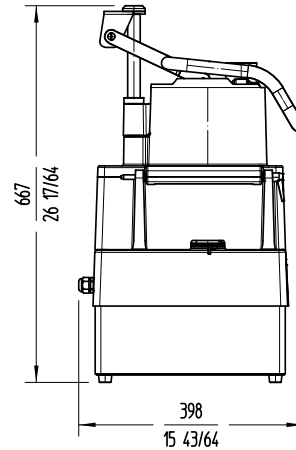
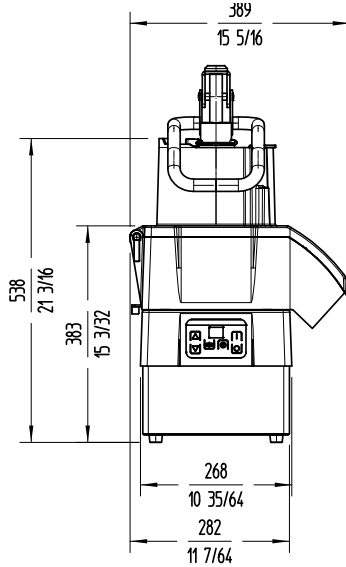
P/N 1050330

SPECIFICATIONS

Total loading: 1500 W
 Electrical supply: 230 V / 50-60 Hz / 1 ~
 (-- A)
 Plug: EU
As vegetable preparation machine
 Hourly production: 200 Kg - 650 Kg
 Inlet opening: 286 cm²
 Disc diameter: 205 mm
 Speeds as veg. slicer (positions): 5 (365 rpm - 1000 rpm)
 External dimensions (WxDxH): 389 mm x 400 mm x 767 mm
 Net weight: 30 Kg

As cutter
 Bowl capacity: 5 l
 Speeds as cutter (positions): 10 (365 rpm - 3000 rpm)
 External dimensions (WxDxH): 283 mm x 390 mm x 468 mm
 Net weight (Cutter): 23 Kg.

Crated dimensions
 420 x 420 x 690 mm
 Gross weight: 35 Kg.



DYNAMIC PREPARATION
FOOD PROCESSOR / VEG PREP COMBI MACHINES

sammic | www.sammic.com
 Food Service Equipment Manufacturer

Polígono Basarte, 1. phone +34 943 15 72 36
 20720 Azkoitia, Spain sales@sammic.com



Project	Date
Item	Qty
Approved	

product sheet
 updated 30/05/2019