

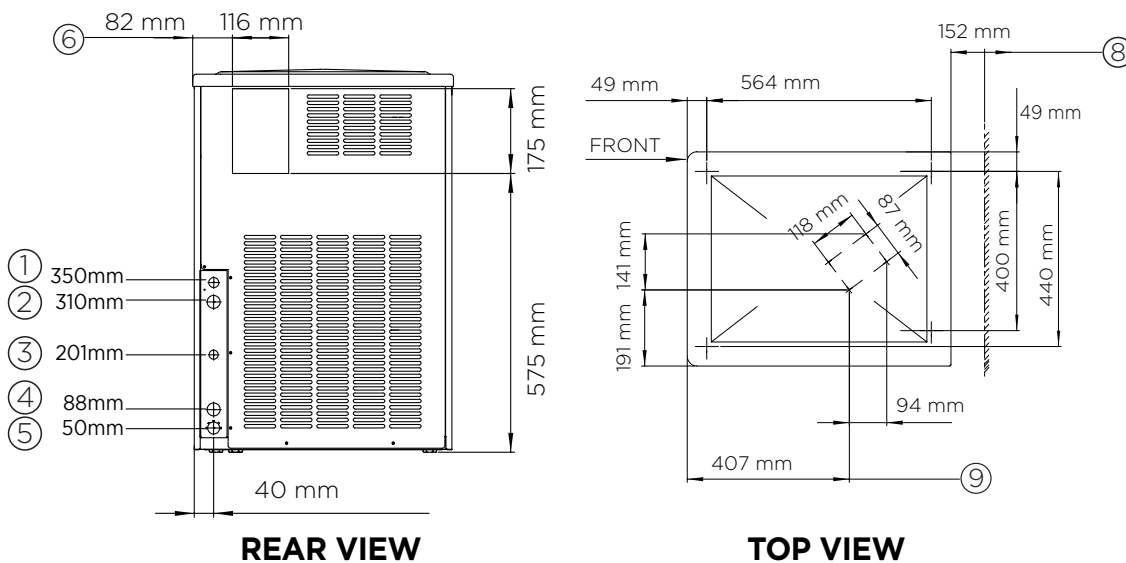
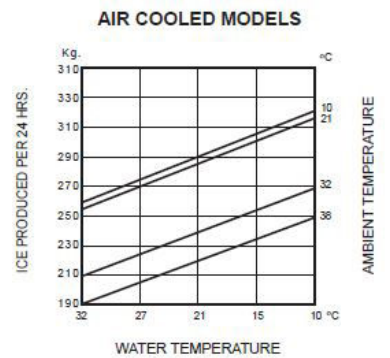
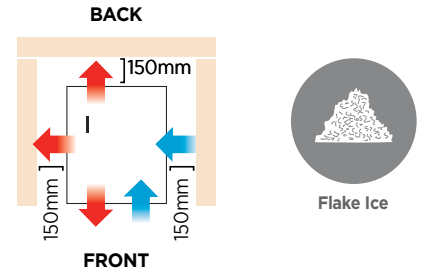
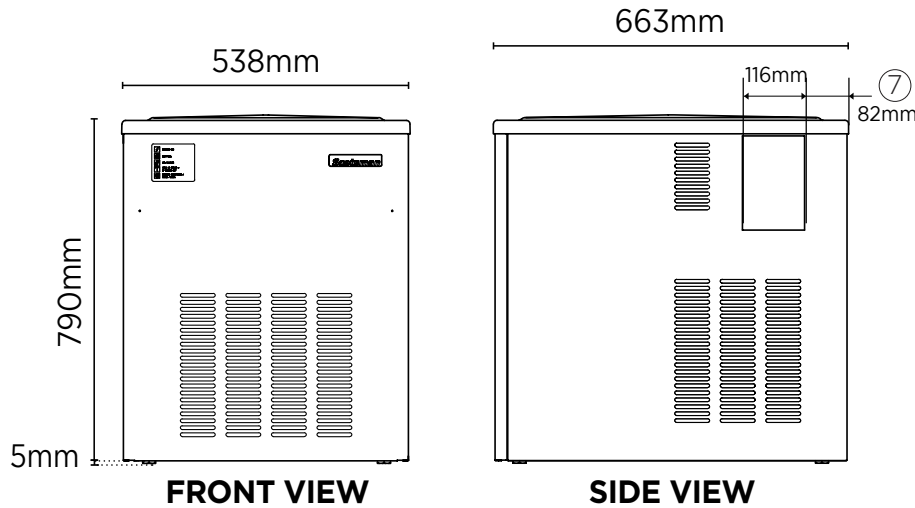
Modular Ice Machine (Head Only) Flake - 410kg/24h

| Ice Machines



Modular Ice Machine (Head Only) Flake - 410kg/24h

Ice Machines



1. CORD SET
2. 3/4" GAS WATER INLET
3. 3/4" GAS WATER INLET WATER COOLED ONLY
4. 3/4" GAS WATER OUTLET WATER COOLED ONLY
5. Ø 20mm WATER OUTLET
6. ICE EXIT BACK SIDE
7. ICE EXIT RIGHT PANEL SIDE
8. MIN. FOR UTILITY CONNECTIONS
9. ICE EXIT BOTTOM SIDE

SPECIFICATIONS

Model	IM0400FM-NR	Frequency	50Hz
Part Number	3935197	Power Supply	Single Phase
Unit Weight	94kg	Plug Supplied	1 x 10A
Packaged Weight	103kg	Plug Location	Rear, bottom left
Ambient Temperature	43°C	Water Consumption	11.7L/h
Energy Consumption	30.4kWh/24h	Maximum Daily Production	410kg/24h
Refrigeration Capacity	1390W	Ice Type	Flake
Refrigerant	R290	Storage Bin Compatibility	SB129*, SB178*, SB243*, SB406*
Current	6.3A	Warranty	3 Years Parts & 1 Year Labour
Electrical Voltage	230V		Bromic Extra Care

DIMENSIONS

External (mm)	
Width	538
Depth	663
Height	790
Packaged (mm)	
Width	610
Depth	760
Height	960

*Requires bin top accessory for compatibility on all three models
Production is based on kg/24hr at 10°C air & 10°C water