

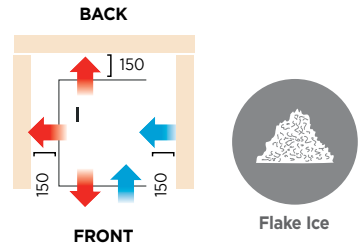
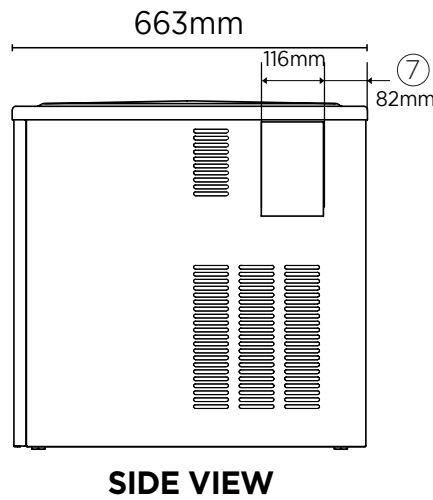
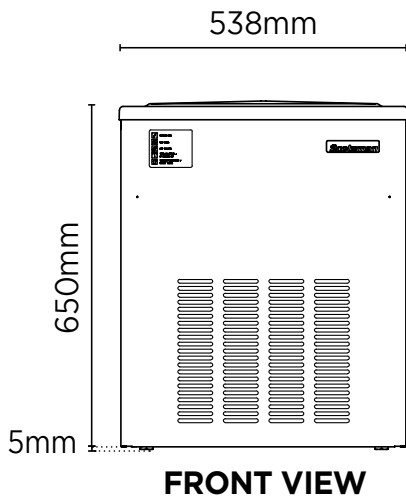
Modular Ice Machine (Head Only) Flake - 320kg/24h

| Ice Machines

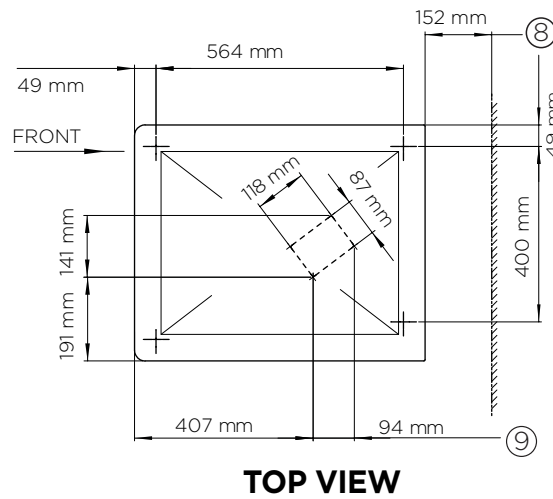
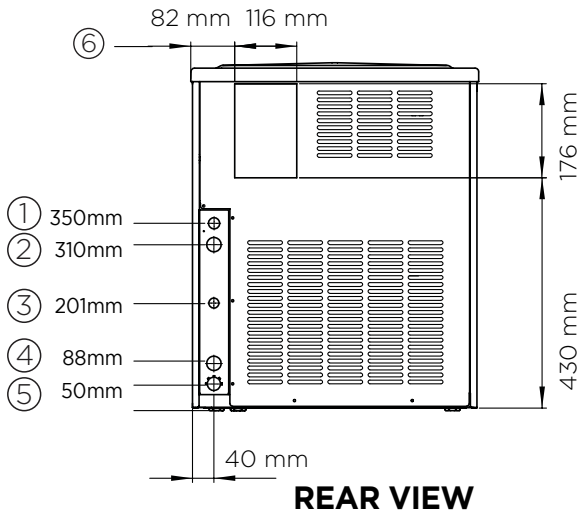
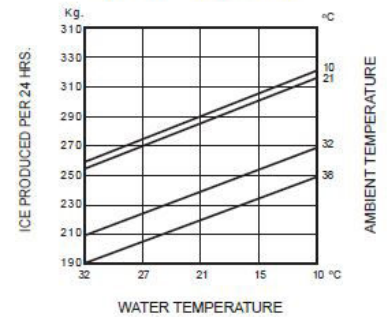


Modular Ice Machine (Head Only) Flake - 300kg/24h

Ice Machines



AIR COOLED MODELS



1. CORD SET
2. 3/4" GAS WATER INLET
3. 3/4" GAS WATER INLET WATER COOLED ONLY
4. 3/4" GAS WATER OUTLET WATER COOLED ONLY
5. Ø 20mm WATER OUTLET
6. ICE EXIT BACK SIDE
7. ICE EXIT RIGHT PANEL SIDE
8. MIN. FOR UTILITY CONNECTIONS
9. ICE EXIT BOTTOM SIDE

SPECIFICATIONS

Model	IM0300FM-NR
Part Number	3935196
Unit Weight	78kg
Packaged Weight	87kg
Ambient Temperature	43°C
Energy Consumption	22.7kWh/24h
Refrigeration Capacity	1000W
Refrigerant	R290
Current	4.5A
Electrical Voltage	230V

Frequency	50Hz
Power Supply	Single Phase
Plug Supplied	1 x 10A
Plug Location	Rear, bottom left
Water Consumption	8.3L/h
Maximum Daily Production	300kg/24h
Ice Type	Flake
Storage Bin Compatibility	SB129*, SB178*, SB243*, SB406*
Warranty	3 Years Parts & 1 Year Labour Bromic Extra Care

DIMENSIONS

External (mm)	
Width	538
Depth	663
Height	650
Packaged (mm)	
Width	610
Depth	760
Height	820

*Requires bin top accessory for compatibility on all three models
Production is based on kg/24hr at 10°C air & 10°C water