

BB0330GDS-NR-1

INDUSTRY
KITCHENS

www.industrykitchens.com.au 1800 611 058

BROMIC
REFRIGERATION

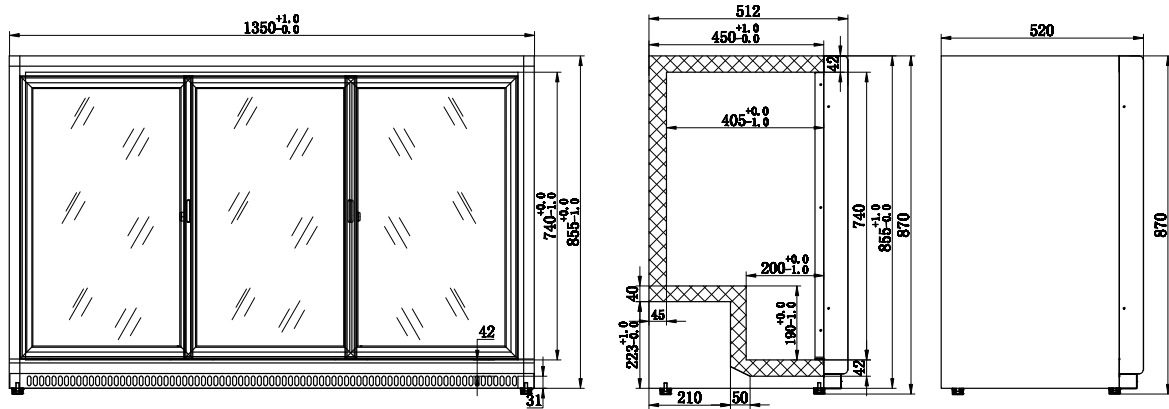
Back Bar Fridge 307L - 3 Doors - Sliding

| Bar Fridge & Freezers



Back Bar Fridge 307L - 3 Doors - Sliding

Bar Fridge & Freezers



SPECIFICATIONS

| | |
|------------------------|----------------|
| Model Number | BB0330GDS-NR-1 |
| Part Number | 3736074-1 |
| Volume | 307L |
| Unit Weight | 90kg |
| Packaged Weight | 95kg |
| Adjustable Temp. Range | +1 to +10°C |
| Max. Ambient Temp. | 38°C |
| Climate Class | 3M1 |
| Energy Consumption | 3.58kWh/24h |
| GEMS Star Rating | 3 stars |
| Refrigeration Capacity | 408W |
| Refrigerant | R600 |
| Rated Current | 2.1A |
| Electrical Voltage | 220-240V |
| Frequency | 50Hz |
| Power Supply | Single Phase |
| Power Plug | 1 x 10A |
| Plug Location | Rear, bottom |

| | |
|-----------------------------------|---|
| Colour | Black |
| Internal Light | LED |
| No. of Doors | 3 |
| Door Type | Glass |
| Door Glass Type | Double Glazed |
| Door Style | Sliding |
| Self-Closing Door | Yes |
| Door Lock | Yes |
| No. of Shelves per Door incl Base | 3 |
| Shelf Type | Adjustable |
| Shelves Dimensions | 370(w) x 326(d) mm |
| Temp. Controller | Digital |
| Castors | No, adjustable feet |
| Warranty | 2 Years Parts & Labour Bromic Extra Care |

DIMENSIONS

| | |
|----------------------|------|
| External (mm) | |
| Width | 1350 |
| Depth | 520 |
| Height | 870 |
| Internal (mm) | |
| Width | 1270 |
| Depth | 385 |
| Height | 820 |
| Packaged (mm) | |
| Width | 1395 |
| Depth | 564 |
| Height | 895 |