

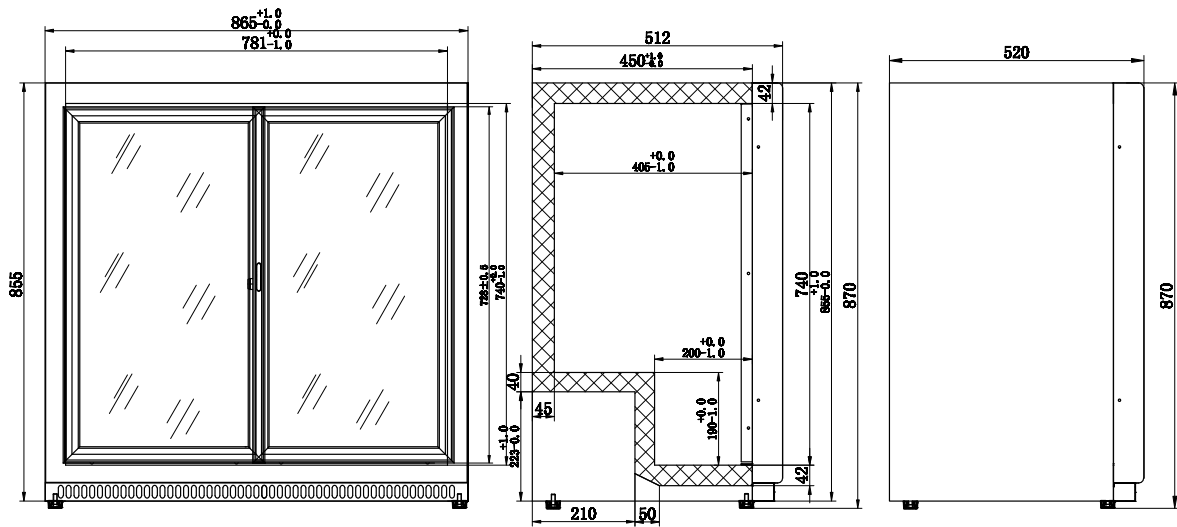
Back Bar Fridge 190L - 2 Doors - Sliding

| Bar Fridge & Freezers



Back Bar Fridge 190L - 2 Doors - Sliding

Bar Fridge & Freezers



SPECIFICATIONS

Model Number	BB0200GDS-NR-1
Part Number	3736072-1
Volume	190L
Unit Weight	72kg
Packaged Weight	77kg
Adjustable Temp. Range	+1 to +10°C
Max. Ambient Temp.	38°C
Climate Class	3M1
Energy Consumption	2.6kWh/24h
GEMS Star Rating	4 stars
Refrigeration Capacity	213W
Refrigerant	R600
Rated Current	1.2A
Electrical Voltage	220-240V
Frequency	50Hz
Power Supply	Single Phase
Power Plug	1 x 10A

Plug Location	Rear, bottom
Colour	Black
Internal Light	LED
No. of Doors	2
Door Type	Glass
Door Glass Type	Double Glazed
Door Style	Sliding
Self-Closing Door	Yes
Door Lock	Yes
No. of Shelves per Door incl Base	3
Shelf Type	Adjustable
Shelves Dimensions	370(w) x 326(d) mm
Temp. Controller	Digital
Castors	No, adjustable feet
Warranty	2 Years Parts & Labour Bromic Extra Care

DIMENSIONS

External (mm)	
Width	865
Depth	520
Height	870
Internal (mm)	
Width	820
Depth	385
Height	820
Packaged (mm)	
Width	915
Depth	564
Height	895