

INDUSTRY  
KITCHENS

[www.industrykitchens.com.au](http://www.industrykitchens.com.au) 1800 611 058



The CE653 fully automatic patty maker is capable of producing 2,100 patties per hour.



Model

**LAMCE653**

Fully Automatic Patty Maker



Heavy Duty Continuous; Fully-automatic; CE Approved

# Model LAMCE653

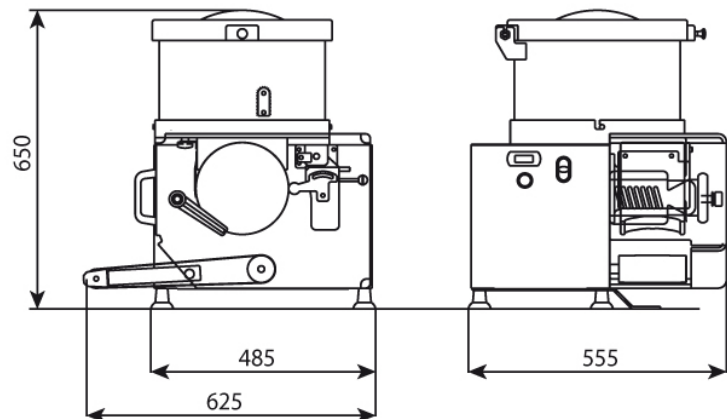
## Fully Automatic Patty Maker

The CE653 fully automatic patty maker is constructed of stainless steel and anodised aluminium. Capable of producing 2,100 patties per hour.

- 23 Litre feeder/hopper.
- Interchangeable forming rollers with food-safe polyethylene ejector.
- Conveyor belt.
- Thickness maybe easily adjusted to obtain desired weight of patty.
- Easy to dismantle for cleaning.
- Fitted with safety interlock switch for greater operator safety.
- Also available:  
Special forming cylinders, automatic scraping device, paper interleaver, variable speed, large 40 litre feeder/hopper, foot control.  
Refrigerated model also available (CE653R).  
Also available in 3 phase 415V.
- CE Approved.

### ***SPECIFICATIONS***

Dimensions (mm)	
Width	555
Depth	625
Height	650
Power	1HP, 650w
Production (p/hr)	2,100 patties
Capacity (ltr)	23
Net weight (kg)	59



Brice Australia Pty. Ltd. ABN 71 413 589 669  
100% Australian owned and operated  
Copyright ©2024 Brice Australia Pty. Ltd.

**BRICE HEAD OFFICE:**  
11 Holloway Drive, Bayswater,  
Victoria 3153 Australia

**Ph: 1300 664 880**  
[www.briceaust.com.au](http://www.briceaust.com.au)  
email: [info@briceaust.com.au](mailto:info@briceaust.com.au)

