

The LAMCE182-1 is a compact and hygienically designed commercial bench-mounted band saw designed to cut fresh meat.



- **Constructed with a compact rigid chassis**
- **Crevice free interior** for ease of cleaning
- **Brake motor operation** within 4 seconds either by the stop button or when opening the door
- **CE approved**

Model LAMCE182-1 Benchtop Bandsaw

CE Approved

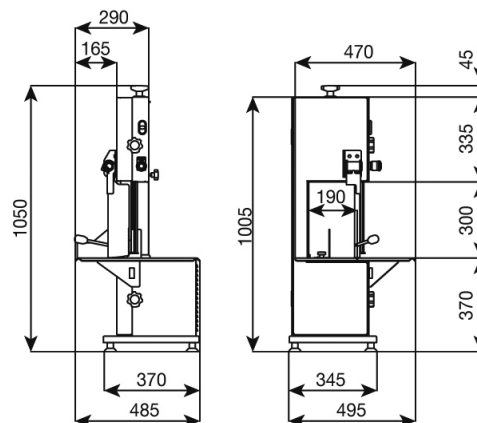
The LAMCE182-1 benchtop bandsaw is a compact and hygienically designed commercial benchtop bandsaw designed to cut fresh meat.

Features:

- Stainless steel structure, door, worktop, portioning device and blade guard;
- Easy to clean and maintain, removable top pulley and blade scraper;
- Detachable waste pan;
- Safety interlock switch on door;
- High-speed self ventilating motor with electronic brake;
- Low voltage start button;
- CE approved.

SPECIFICATIONS

LAMCE182-1	
Power	900W
Dimensions mm (W x L x H)	495 x 485 x 1005
Cutting Speed m/sec	16
Cutting Height mm	300
Cutting Depth mm	190
Weight kg	52



Brice Australia Pty. Ltd. ABN 71 413 589 669
100% Australian owned and operated
Copyright ©2022 Brice Australia Pty. Ltd.

BRICE HEAD OFFICE:
11 Holloway Drive, Bayswater,
Victoria 3153 Australia

Ph: 1300 664 880
www.briceaust.com.au
email: info@briceaust.com.au



BA681.LAMCE182-1.1/22