

Model BT100/130 Brochure/Manual Hamburger Press

INDUSTRY
KITCHENS

www.industrykitchens.com.au 1800 611 058



The BT Manual Hamburger Press is designed for ease of use, quick cleaning, safe operation and neat portioning.

Manufactured from stainless steel and anodised aluminium this compact hand operated hamburger press prepares perfect sized patties everytime. Protected by a cellophane disc the compressed meat is easy to remove without any need of a tool. Available in two sizes BT100 makes a 100mm patty and BT130 makes a 130mm patty.



Operating Instructions for the BT Manual Hamburger Press

The BT Manual Hamburger Press is intended for use in the production of consistent sized patties.

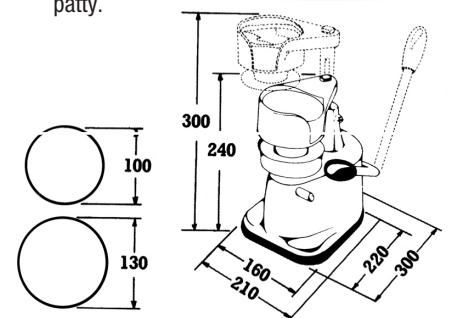
1. Lift lever to expose press platform.
2. Place cellophane disc on the platform.

3. Place meat portion on the cellophane disc on the platform and cover meat with a second cellophane disc.
4. Pull lever towards you to compress the meat into shape.

5. Raise lever and remove perfectly formed patty.

BT Manual Hamburger Press Dimensions:

Base Depth: 220mm	Base Width: 160mm	Height: 300mm	Weight: 4kg
-------------------	-------------------	---------------	-------------



Brice Australia Pty. Ltd. ABN 71 413 589 669
100% Australian owned and operated
Copyright ©2017 Brice Australia Pty. Ltd.

BRICE HEAD OFFICE:
11 Holloway Drive,
Bayswater, Victoria 3153 Australia

Ph: 1300 664 880
www.briceaust.com.au
email: info@briceaust.com.au