



# CB425A-HCQ-DP

B-Qube



## Self-contained ice maker - Sprayer system Daily production up to 54 kg

Brema's new Green Tech CB range offers self-contained ice machines for bench top, under bench or free-standing installation. These machines produce attractive, crystalline cubes weighing 23g which rapidly chill and enhance the appearance of any beverage.

The Brema CB425A-HCQ-DP is a free-standing ice cube machine that produces 48kg of ice per 24 hours and has storage capacity of 25kg.

The CB range of self-contained ice cube machines is the perfect fit for cafes, restaurants, hotels, bars and nightclubs.

### ► Features

- Resistant and crystal square cube
- AISI 304 SS Scotch Brite finish
- Tropical class +43°C rated
- Adjustable Stainless Steel feet
- Removable and cleanable antiscaling filter
- Air cooling system
- Easy cleanable internal rounded surfaces
- HCFC-Free insulated storage
- RoHS Free
- Disappearing insulated door
- Electromechanical operation
- ON-OFF rocker switch
- Standard voltages
- HFC Free
- R290 environmentally friendly refrigerant
- Automatic Washing System
- Built in drain pump
- 25kg storage capacity
- Produces 23g square ice cubes

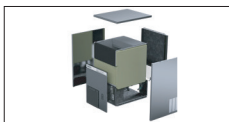


### ► Accessories

- Water inlet hose
- Drainage hose
- External water filter
- Pressure limiting valve
- Plastic ice scoop
- Adjustable stainless steel legs (4)

### ► Options

- 65-85mm feet



Green Tech Design



Side openings for better ventilation

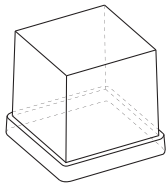


Double water inlet (W models only)



Plug-in electrical connection

### ► Ice cube size



Cube 23 grams  
Dimensions H 31.5 x L 32.5

### ► Production 24h

Air temp.	Water temp.	kg
10° C	7° C	54
21° C	15° C	48
32° C	21° C	36

**3 Years Warranty**

### ► Certifications available for this model



www.cannindustries.com.au

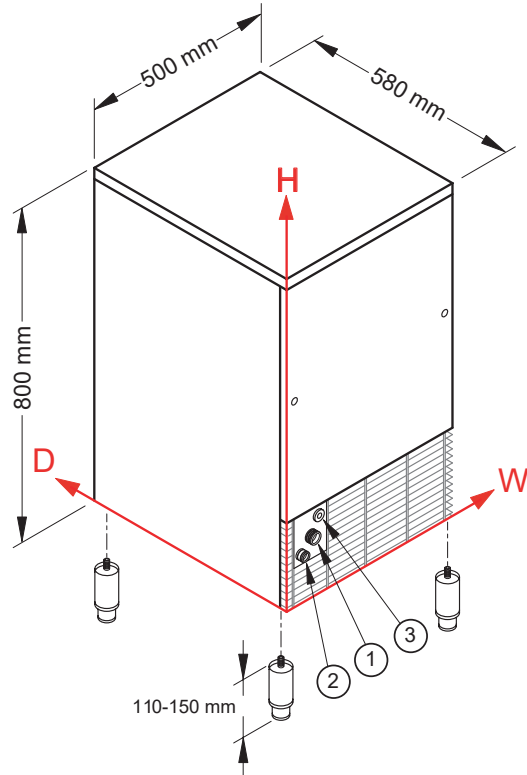


B-Qube

# CB425A-HCQ-DP



## Self-contained ice maker - Sprayer system Daily production up to 54 kg



### ► Working conditions

- Location: **Indoor**

	Min	Max
Ambient temperature	+10°C	+43°C
Water temperature	+3°C	+32°C
Voltage	-10%	+10%
Water inlet pressure	1bar (14 psi)	6bar (84 psi)

### ► Connections

All measures are referred to the rear bottom-left corner (W-H-Ø)

- ① Water in.: 110mm - 196mm - 3/4"    ② Water out.: 49mm - 151mm - 24mm - 3/4"    ③ Electrical connections.: 156mm - 232mm  
 ④ Cond. water in.: 119mm - 181mm - 3/4"    ⑤ Only for water cooling systems

### ► Technical Information

Production in 24h	48kg
Store capacity, up to	25kg
Cooling system	A
Kind of cube	Q-23g
Refrigerant	R290
Standard voltage	240V - 50 Hz - 10A (lead with plug supplied)

Finish	AISI 304 stainless steel, scotch brite
Clearance	100mm sides + back
Water consumption	A: 3 l/kg
Sizes (W-D-H)	497 - 592 - 797
Sizes with pack (W-D-H)	550 - 660 - 970
Net weight	46kg
Gross weight	54kg
Power consumption*	450W
Electrical consumption	18 kWh/100kg

All the technical information need to be considered at the following conditions:  
 Sizes without feet  
 Standard Cube (23 g)  
 Ambient temperature +21°C  
 Water temperature +15°C  
 Electrical consumption at +32°C (standard voltage)  
 \*Average power consumption at +43°C (standard voltage)

Models and specifications are subject to change without notice



www.cannindustries.com.au