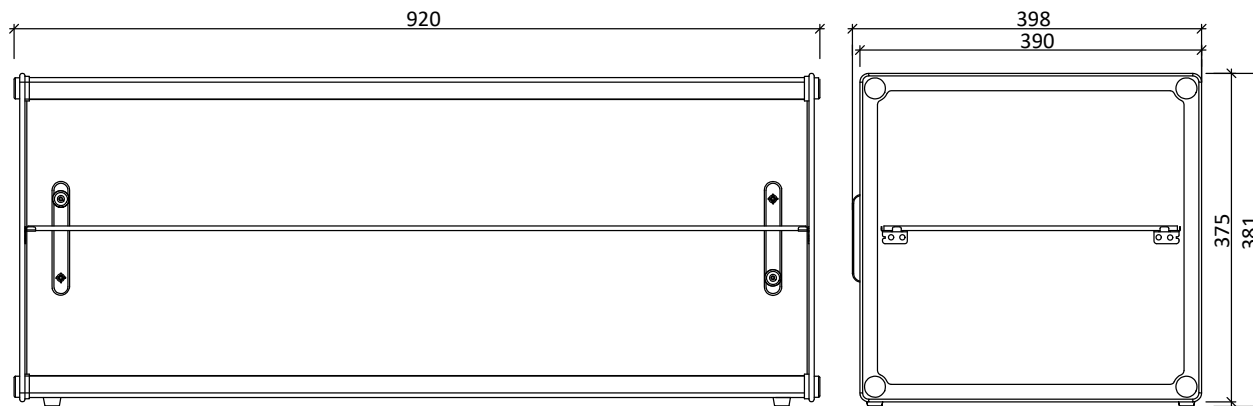
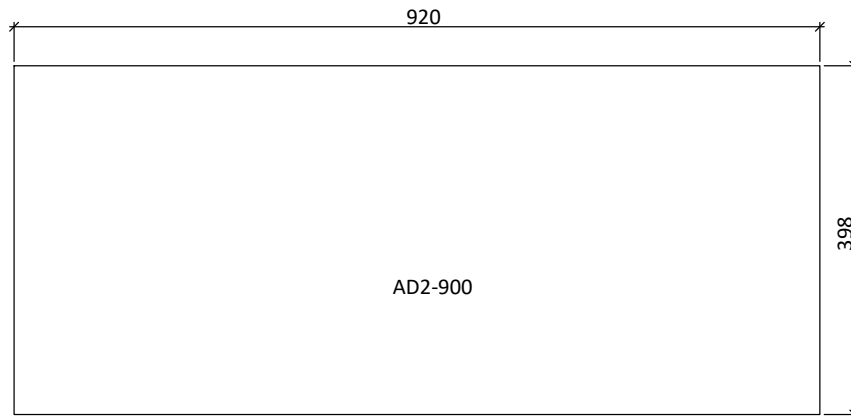


INDUSTRY KITCHENS

www.industrykitchens.com.au 1800 611 058



Model:	AD2-900	
Description:	120L 2 Level Sliding Door Square Ambient Display 920x398x381mm	

Dimensions:	External	Internal
Height (mm):	381	NA
Width (mm):	920	NA
Depth (mm):	398	NA
Floor Area (m2):	0.366	
Gross Volume (L):	120	

*With supplied castors fitted. See height variation below

Height Variation	
Supplied castors	381
Supplied height adjustable legs	NA
No castors or legs	375

Dimensional Tolerances	
Before installing this cabinet allow -5mm to +10mm dimensional tolerances:	
Joint Tolerances	End Wall Tolerances
+5mm	+15mm
-5mm to +10mm	+15mm