

MODEL

Q90TP/E800

CODE

CR1016099

## ELECTRIC SOLID TOP

### QUEEN9

- AISI 304 stainless-steel bases and worktops, Scotch-Brite finish
- Depth of 900 mm for high power and performance
- Catalogue offers more than 350 standard models
- Worktop, base cabinet, base cabinet with doors and oven versions
- 20/10 worktop thickness
- Twin-piece knobs prevent infiltration of dirt and have an IPX5 water ingress protection rating
- Gas kitchens having burners with various configurations and power ratings: 3.5 kW - 5.7 kW, 7 kW and 10 kW
- Double-ring burners for 7 and 10 kW models
- Wide range of accessories



### Technical / functional characteristics

- Cooking plate in polished chrome-molybdenum 1.8 mm thick, high temperature resistant, and suitable for direct cooking.
- Perimetral fat-collecting channel with drain to floor
- Griddle heating (4 zones) via four 4 Kw heating elements;
- Heating elements temperature adjustment via thermostat, activated via tilted and recessed ergonomic knobs.

DIMENSIONS	
Width (mm)	800
Depth (mm)	900
Height (mm)	250
Gas connection (∅)	
Electric connection (V/~ /Hz)	400V/3N 50-60 Hz
Cold water connection (∅)	
Hot water connection (∅)	

Cold soft water connection (∅)	
Drain (∅)	
Gas power (Mj/hr)	
Electric power (kW)	16
Plate dimensions (mm)	
Tank capacity (L)	
Tank dimensions (mm)	
Internal oven dimensions (mm)	

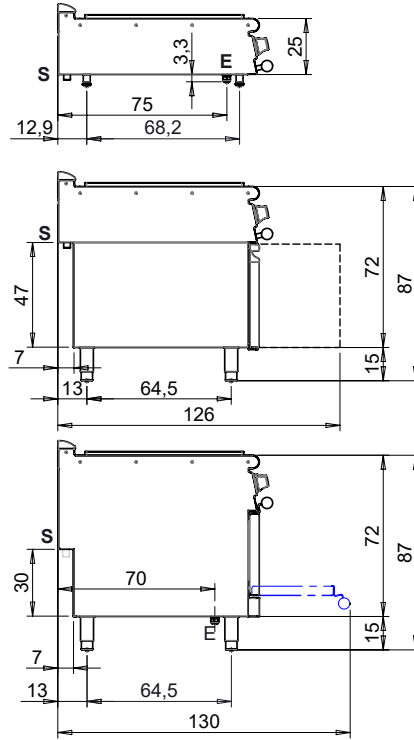
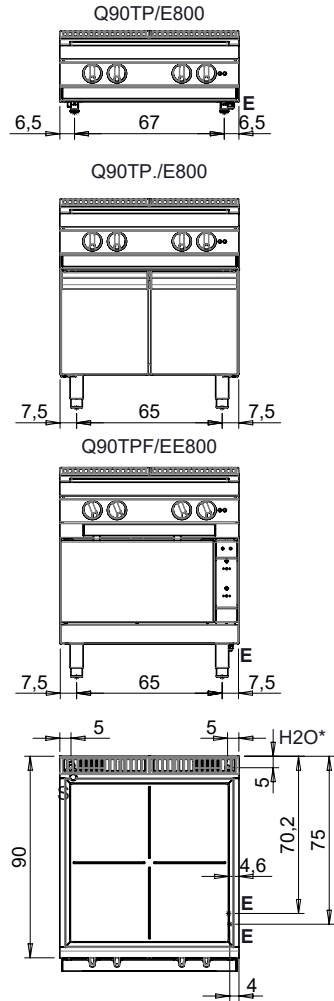
MODEL

Q90TP/E800

CODE

CR1016099

MISURE IN cm - DIMENSIONS IN cm - ABMESSUNGEN IN cm - MESURES EN cm  
 MEDIDAS EN cm - MATEN IN cm - DIMENSIONES EN cm



Legenda - Legende - Key - Légende - Leyenda - Legenda - Legenda

<p><b>E</b> Pressacavo entrata linea elettrica - Stopfbuchse - Electric cable stress relief - Presse étoupe de câble él - Pisacable - Elektrische kabelwartel - Entrada cabo eléctrico</p>	<p><b>G</b> Arrivo gas - Gasanschluss - Gas connection - Arrivée gaz - Union de gas - Gasaansluiting - Ligação gás</p>
<p><b>S</b> Attacco scarico acqua - Wasserablauf - Water outlet - Vidange de l'eau - Desaguadero - Wateraftapaansluiting - Junção descarga água <b>EN ISO 228-1 G1</b></p>	<p><b>H20</b> Arrivo acqua - Wasseranschluss - Water inlet - Arrivée eau - Union de água - Wateraansluiting - Junção alimentação água</p>
<p><b>S1</b> Scarico vasca - Wannenabflussrohr - Pan outlet - Vidange du bac - Descarga cuba - Water toevoer - Descarga da cuba</p>	<p><b>A1 =</b> Calda - Heiss - Warm - Chaude - Caliente - Warm - Morno <b>A2 =</b> Fredda - Kalt - Cold - Froid - Fria - Koude - Frio <b>EN 10226-1 R 1/2; EN ISO 228-1 G 1/2 (DK)</b></p>
<p><b>S2</b> Valvola di depressione - Anti-depression valve - Unterdruck ventil - Soupape de dépression - Válvula de depresión - Onderdrukklep - Válvula de depressão</p>	
<p><b>S3</b> Scarico acqua intercapedine - Wasserablauf Zwischenraum - Jacket water drain Evacuation eau double envelope - Descarga de agua intersticios - Afvoer water tussenruimte - Descarga de água na marmíta com Sistema de aquecimento indirecto</p>	
<p><b>S4</b> Scarico - Abflussrohr - Drain - Tuyau d'évacuation - Tubo de drenaje - Aftapbuis - Tubulação de dreno</p>	<p><b>L</b> Rubinetto di livello - Level tap - Wasserhahn - Robinet de niveau - Grifo de nivel - Niveaakraan - Torneira de nível</p>