

## ELECTRIC BRATT PAN MANUAL TILTING 60 LT - STAINLESS STEEL TANK

### QUEEN7

- 15/10 worktop thickness
- Stainless steel, Scotch-Brite finish
- Sturdy and powerful with compact design
- Depth of 700 mm means it will fit the most common configurations
- Catalogue offers more than 300 standard models
- Worktop, base cabinet and oven Versions
- Twin-piece knobs prevent the infiltration of dirt and are watertight
- Gas kitchens having burners with various configurations and power ratings: 3.5 kW - 5.7 kW - 7.0 Kw
- Wide range of accessories



### Technical / functional characteristics

- Manual water fill.
- Self-balanced lid with double steel wall.
- Safety device interrupting power supply when tub is lifted.
- Adjustable temperature from 100 to 280°C.
- Heating element unit made of incoloy stainless steel heating elements.
- Safety thermostat.

DIMENSIONS	
Width (mm)	800
Depth (mm)	700
Height (mm)	900
Gas connection (Ø)	
Electric connection (V/~ /Hz)	400V/3N 50-60 Hz
Cold water connection (Ø)	3/4"
Hot water connection (Ø)	

Cold soft water connection (Ø)	
Drain (Ø)	
Gas power (Mj/hr)	
Electric power (kW)	10
Plate dimensions (mm)	
Tank capacity (L)	
Tank dimensions (mm)	
Internal oven dimensions (mm)	

MODEL

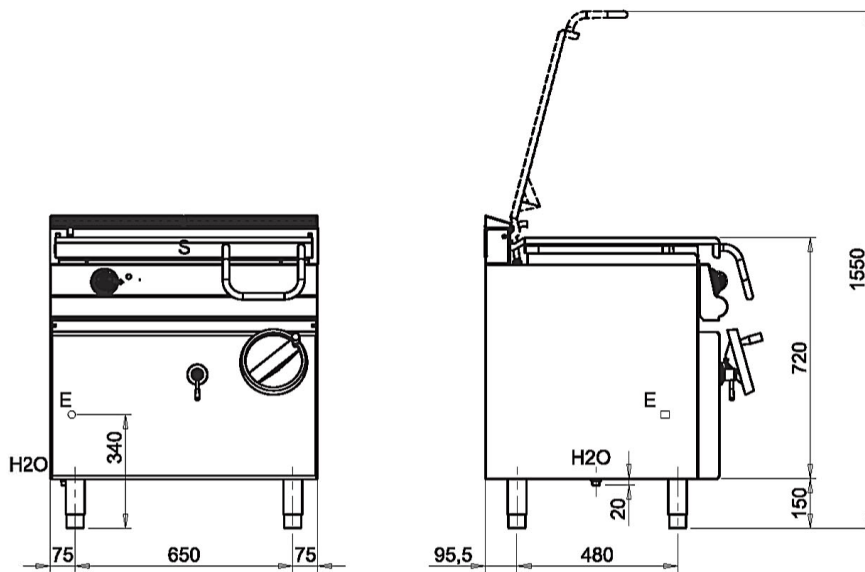
Q70BR/E80

CODE

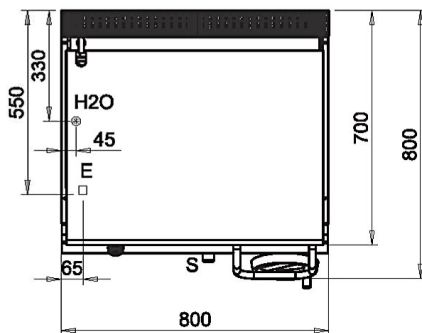
CR1014719

SCHEMA DI INSTALLAZIONE - INSTALLATION DIAGRAM - INSTALLATIONSPLAN - SCHÉMA D'INSTALLATION -  
ESQUEMA DE INSTALACION -INSTALLATIESCHEMA - IINSTALLATIONSRTNINGAR

MISURE IN mm - DIMENSIONS IN mm - ABMESSUNGEN IN mm  
MESURES EN mm - MEDIDAS EN mm - MATEN IN mm



70BR/E8\_



Legenda - Legende - Key - Légende - Leyenda - Legenda

**E** Pressacavo entrata linea elettrica - Stopfbuchse - Electric cable stress relief  
Presse étoupe de cable él. - Pisacable - Elektrische kabelwartel

**H20** Attacco arrivo acqua - Wasseranschluss - Water inlet  
Arrivée eau - Union de agua - Wateraansluiting  
**EN ISO 228-1 G 3/4**

**S** Scarico vasca - Wannenabflussrohr - Pan outlet  
Vidange du bac - Descarga cuba - Water toevoer