



B+S BLACK SERIES: NC-2-SW-2

Noodle Cooker with Soup Warmer Insert (2 rounds + 2 recs)

Project: _____ Item: _____



NC-2-SW-2

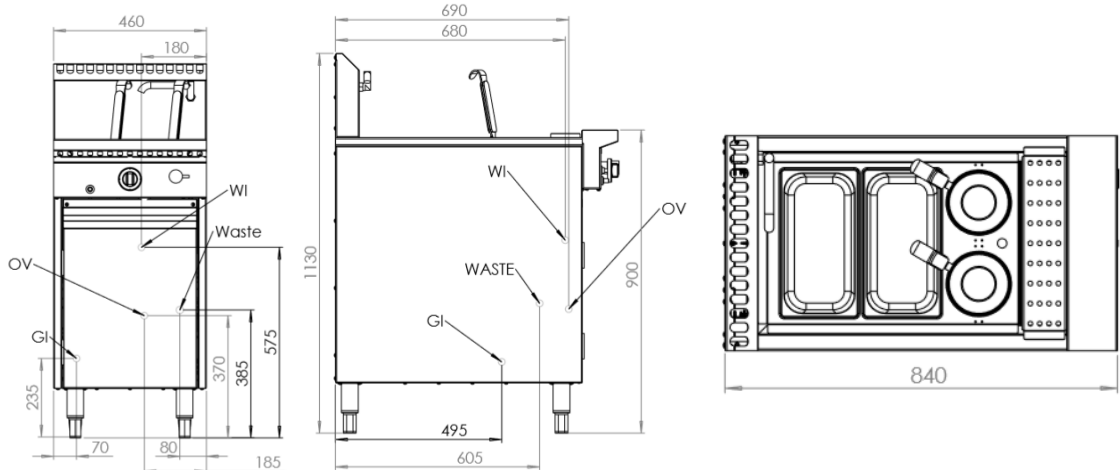
Standard Features:

- AISI 304 grade stainless steel
- 2mm thick AISI 316 stainless steel tank
- Multi-setting gas valve as standard for greater regulation of flame setting
- Cast iron ribbon burners
- Piezo ignition and flame failure
- Cabinet mounted stainless steel interior and exterior frame
- Swivel laundry arm easily controlled by front mounted top
- Inbuilt water impurities
- Baskets provided
- 21-litre water capacity
- 18-month warranty
- Soup Warmer insert included

Options:

- Natural or LP Gas

Specifications:



MODEL	LENGTH (mm)	DEPTH (mm)	HEIGHT (mm)	GAS CONSUMPTION (Mj/h)	
				NG	LPG
NC-2-SW-2	460	840	1130	58	50

Connections:

GAS (GI) (BSP)	WATER (WI)	WASTE (W) (HOSE & BSP)	SUPPLY PRESSURE (kPa)	
			NG	LPG
¾" (M)	½" (Copper)	D1= 1" D2=1" (M)	1.0	2.6

- Regulator is included in the unit
- **Must** be installed by an authorised installer

Due to ongoing Product Development, Product Improvement and Research, B+S Commercial Kitchens reserves the right to alter specification without notice.



B+S Commercial Kitchens
57 Plateau Road Reservoir VIC 3073 Australia | +61 3 9469 4754
info@bscommercialkitchens.com | www.bscommercialkitchens.com

