



Elevate Your Comfort *Outdoors*

Eclipse Smart-Heat™ Collections Guide

Contents

Introduction.....	4
Design + Integration.....	5
Eclipse Smart-Heat™ Electric.....	6
Features & Benefits.....	12
Eclipse Smart-Heat™ Portable.....	13
Features & Benefits.....	17
Controls.....	18
Performance, Reliability & Beauty.....	19
Sustainability.....	20
Explore Our Collection Lineup.....	21

Bromic is globally recognized as the leader in outdoor heating.





Eclipse Electric

Ceiling Mounted with
600mm twin pole

Radiance *Redefined*

The luxury comfort solution.

Distinguished by its elegant circular pendant design, dimmable LED light rail and high-efficiency radiant heating, the Bromic Eclipse Smart-Heat™ collection's innovative heat and light features strike the perfect balance between ambiance and functionality. Available in seven unique mounting options, including free standing, this contemporary heating solution effortlessly complements the design aesthetic of any outdoor environment, illuminating the view.

Looking for an innovative outdoor heating and lighting solution in one? You've found it.



Design + Integration

The Eclipse collection is manufactured with premium double-coated steel to ensure longevity of use, along with a fully sealed ceramic-glass surface, evenly spreading 3000W of radiant heat up to 11 m². Operated by the Wireless Eclipse Dimmer Controller, adjust the brightness of the LED light from zero to 100% for the perfect ambiance and control heat output using built-in presets (33/66/100%) for complete control over your comfort. When it comes to the Eclipse collection, there is no competition.



Eclipse Electric

This unique pendent design is available in six versatile mounting options including a complimentary 600mm twin ceiling-mount pole, 200mm, 600mm, or 1200mm straight ceiling-mount poles, 600mm curved ceiling-mount pole, as well as a curved wall-mount pole. This robust range of mounting options means your design is never compromised.



Eclipse Portable

Featuring an elegant design, this powerful heater incorporates minimalist, yet striking design aesthetics. With its stable weighted base and freestanding nature, the placement options for this heater are endless. The built-in Eclipse Dimmer Controller allows complete authority over both heat and light functionality.

Eclipse Smart-Heat™ Electric

Available in six unique mounting options, the contemporary circular design of the Eclipse Electric serves as a strikingly functional showpiece within luxurious outdoor lounging or dining spaces. Whether it's being integrated into an outdoor deck or prestigious hospitality venue, this heater elevates the design of outdoor spaces from traditional to exceptional.



Specifications

Reference the specification guide below to help you select the correct solution for your needs.

MODEL NUMBER	ECLIPSE ELECTRIC PENDANT
PRODUCT CODES	2620621-1
FUEL TYPE	ELECTRIC (3000W)
COLOUR	MATTE BLACK
MATERIAL (HEATER HEAD)	PREMIUM COATED 304 STAINLESS STEEL
MATERIAL (MOUNTING ARMS)	PREMIUM, DOUBLE COATED STEEL
HEAT AREA	11 M ²
LED COLOUR	WARM WHITE - DIMMABLE
LED TEMPERATURE	3000K
LED LUMENS	216.6
RATED CURRENT & VOLTAGE	220-240 V - A.C. - 50-60 HZ
MINIMUM FLOOR CLEARANCE	CEILING 2438MM WALL 2438MM
MOUNTING OPTIONS	
WALL MOUNT	2620636 (OPTIONAL)
200MM STRAIGHT CEILING MOUNT POLE	2620631 (OPTIONAL)
600MM STRAIGHT CEILING MOUNT POLE	2620632 (OPTIONAL)
600MM TWIN STRAIGHT CEILING MOUNT POLE	INCLUDED
600MM CURVED CEILING MOUNT POLE	2620634 (OPTIONAL)
1200MM STRAIGHT CEILING MOUNT POLE	2620635 (OPTIONAL)
CONTROL OPTIONS	
DIMMER CONTROL	INCLUDED
MASTER REMOTE ECLIPSE*	2620662-1 (OPTIONAL)

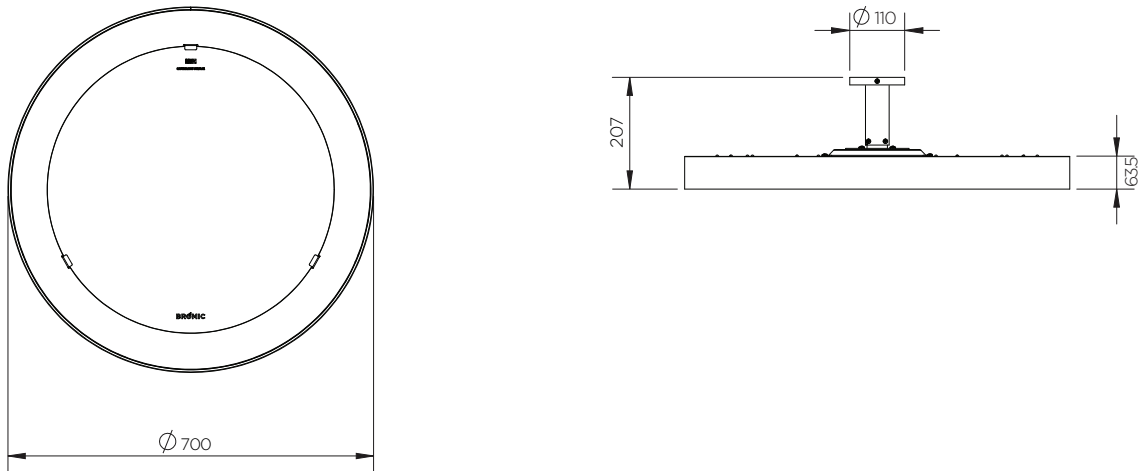
*Control up to six zones of heaters with unlimited heaters per zone from a single remote. Dimmer control required.

Measurements displayed within this catalog are minimum requirements for installation.
Bromic takes no responsibility for incorrect or non-compliant installations.
All measurements in this catalog are displayed in mm.

Dimensions

With a wide range of sizes available, find the ideal heater to suit your outdoor space.

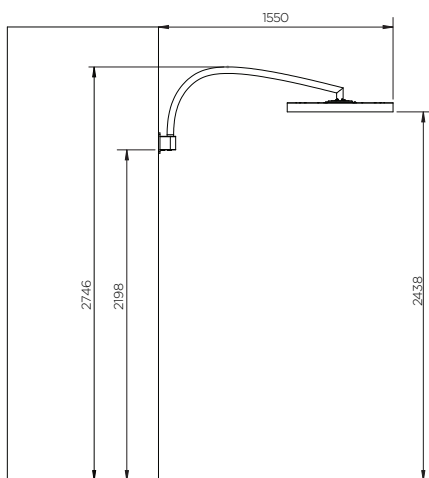
PROFILE



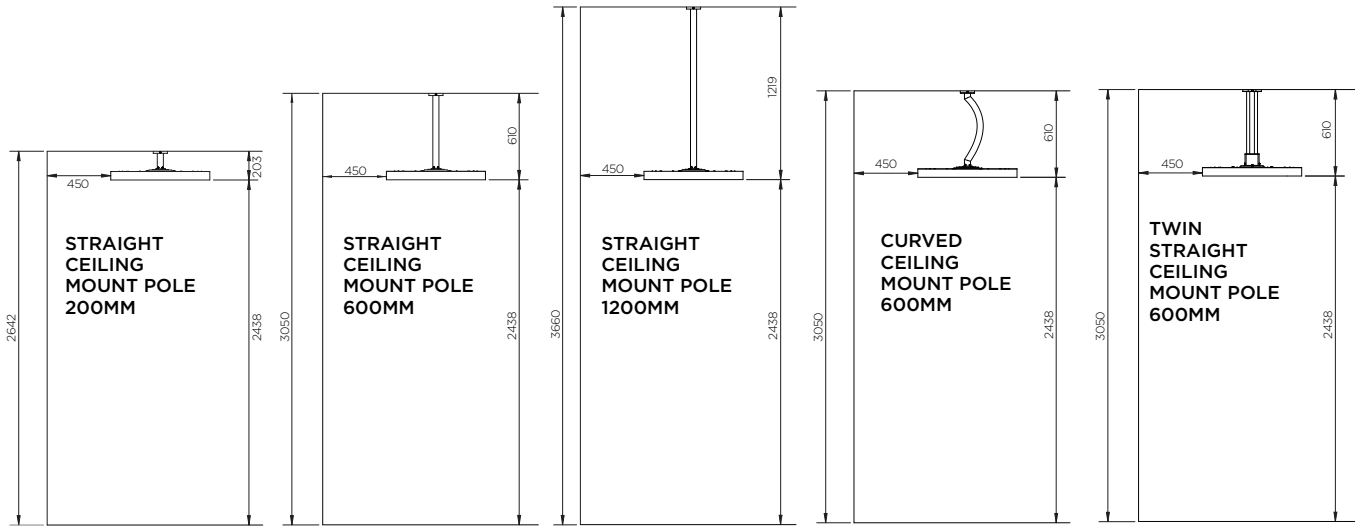
Mounting Clearances

With a wide array of mounting options, Bromic offers solutions to complement any decor and provide functionality for ambiance and comfort.

WALL MOUNTING



CEILING RECESS



Heat Distribution

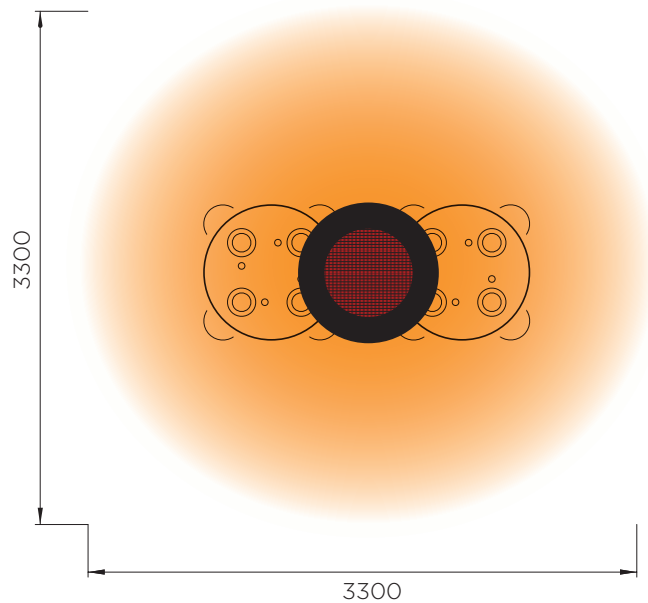
Creating ideal comfort levels, Bromic heaters ensure proper heat coverage based on each series' heat distribution to suit your outdoor heating needs.

HEAT AREA

3000W SERIES

Heating approximately 11m²
3000W heating power

*Heat area dependent on ambient temperature and wind. Optimum conditions experienced at approx 15.5°C AND in a low wind covered environment.



Mounting Options



200 mm Straight Pole

The Eclipse 200mm Pole allows for the mounting of your Eclipse Heater as close to the ceiling as possible, while still meeting minimum clearance requirements and delivering the optimum heat and light coverage.



600 mm Twin Pole

The Eclipse 600mm Twin Pole is provided complimentary with every Eclipse Electric heater head.



600 mm Straight Pole

The Eclipse 600mm Straight Pole is perfect for anyone who is looking for a more minimal version of our standard 600mm Twin Pole.

Mounting Options



1200 mm Straight Pole

Perfect for places with high ceilings, our Eclipse 1200mm Straight Pole will make sure your Eclipse heater can be lowered to the ideal height of around 200mm to ensure it deliver the optimum heat and light coverage.



Curved Pole

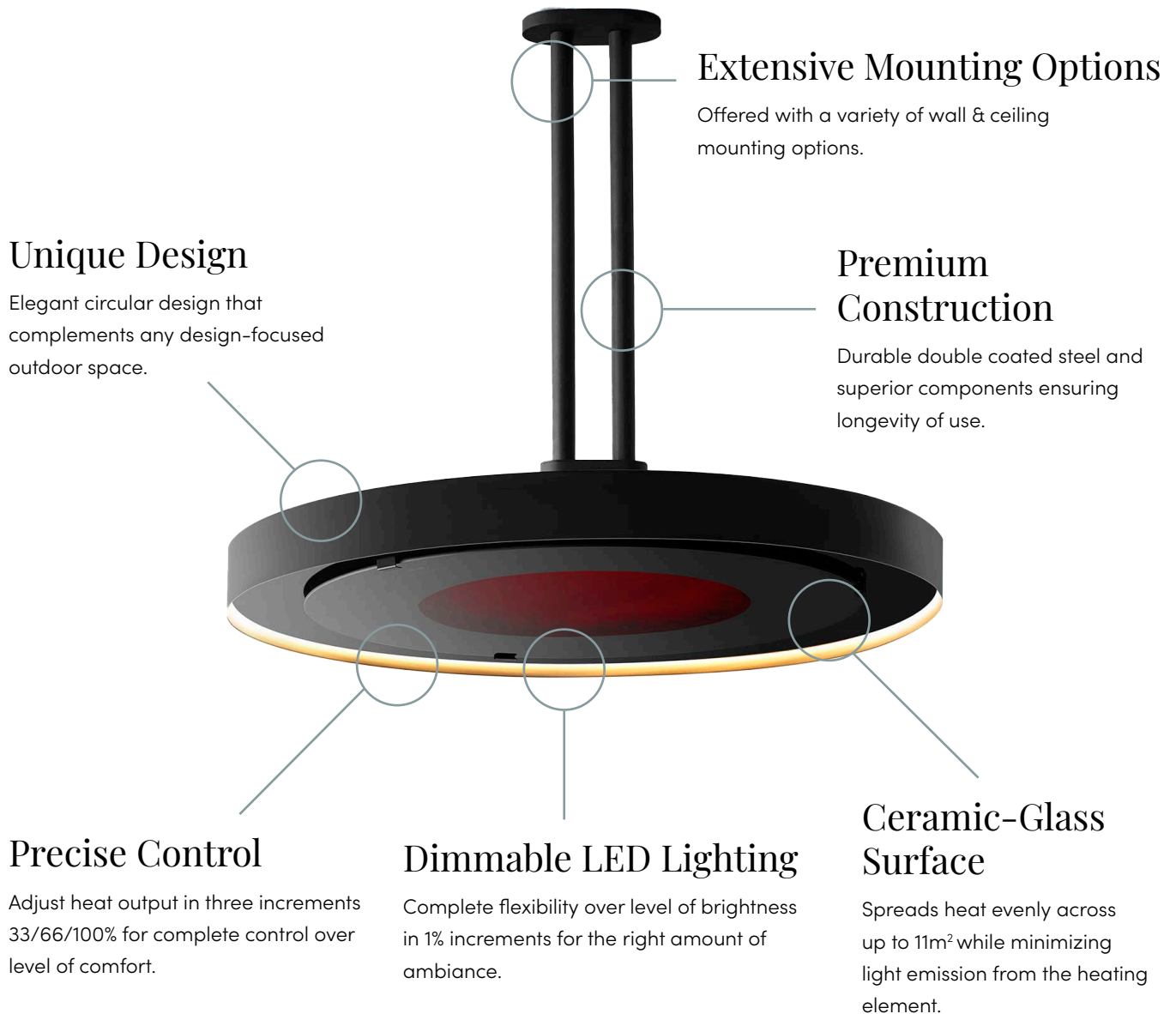
Make a statement with our Eclipse 600mm Curved Pole.



Wall Mount Pole

The Eclipse Wall Mount Pole will allow your Eclipse Heater to be easily mounted on walls and structures.

Features & Benefits



Eclipse Smart-Heat™ Portable

Featuring a striking, elegant design, this powerful portable heater is the freestanding solution to bringing both warmth and light to design-focused outdoor spaces. With the built-in Eclipse Dimmer Controller and wireless remote, effortlessly adjust heat output and gradually dim the lights for ideal comfort.



Specifications

Reference the specification guide below to help you select the correct solution for your needs.

MODEL NUMBER		ECLIPSE ELECTRIC PORTABLE
PRODUCT CODES	2620611-1	
FUEL TYPE	ELECTRIC (3000W)	
COLOUR	MATTE BLACK	
MATERIAL (HEATER HEAD)	PREMIUM COATED 304 STAINLESS STEEL	
MATERIAL (MOUNTING ARMS)	PREMIUM, DOUBLE COATED STEEL	
HEAT AREA	11M ²	
LED COLOUR	WARM WHITE - DIMMABLE	
LED TEMPERATURE	3000K	
LED LUMENS	216.6	
RATED CURRENT & VOLTAGE	220-240 V - A.C. - 50-60 HZ	
MINIMUM FLOOR CLEARANCE	2000MM	
MOUNTING OPTIONS		
FREE STANDING	✓	
CONTROL OPTIONS		
DIMMER CONTROL	INCLUDED	
MASTER REMOTE ECLIPSE*	2620662-1 (OPTIONAL)	

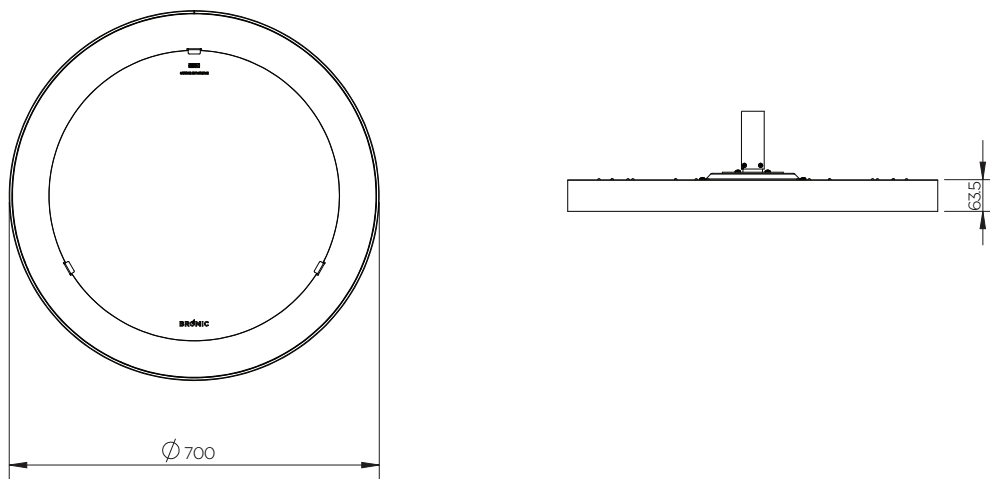
*Control up to six zones of heaters with unlimited heaters per zone from a single remote. Dimmer control required.

Measurements displayed within this catalog are minimum requirements for installation.
 Bromic takes no responsibility for incorrect or non-compliant installations.
 All measurements in this catalog are displayed in mm.

Dimensions

With a wide range of sizes available, find the ideal heater to suit your outdoor space.

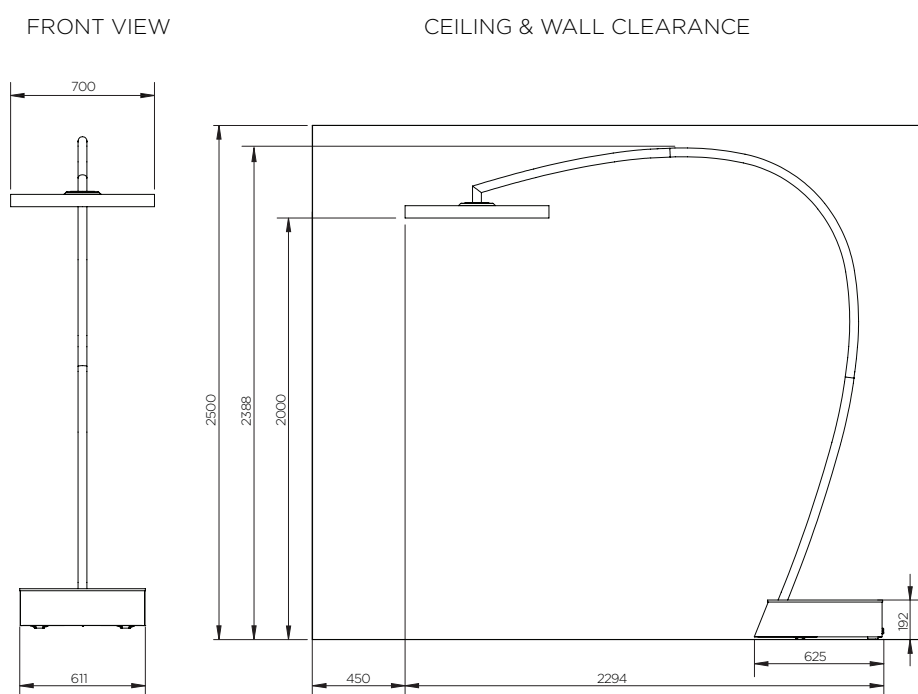
PROFILE



Mounting Options

With a wide array of mounting options, Bromic offers solutions to complement any decor and provide functionality for ambiance and comfort.

FREE STANDING



Heat Distribution

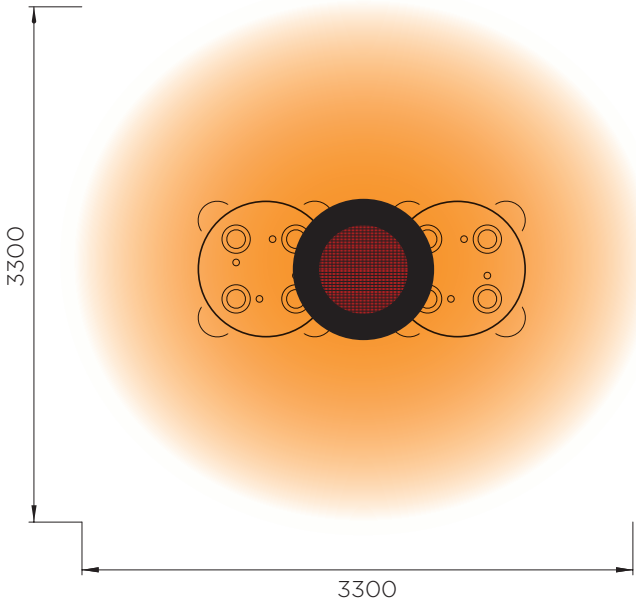
Creating ideal comfort levels, Bronic heaters ensure proper heat coverage based on each series' heat distribution to suit your outdoor heating needs.

HEAT AREA

3000W SERIES

Heating approximately 11m²
3000W heating power

*Heat area dependent on ambient temperature and wind. Optimum conditions experienced at approx 15.5°C AND in a low wind covered environment.



Features & Benefits

Precise Control

Accurately adjust the heat output (0/33/66/100%) for complete control over the level of comfort.

Ceramic-Glass Surface

Spreads heat evenly across up to 11m² while minimizing light emission from the heating element.

Dimmable Light

Complete flexibility over level of brightness for the right amount of ambiance.

Premium Construction

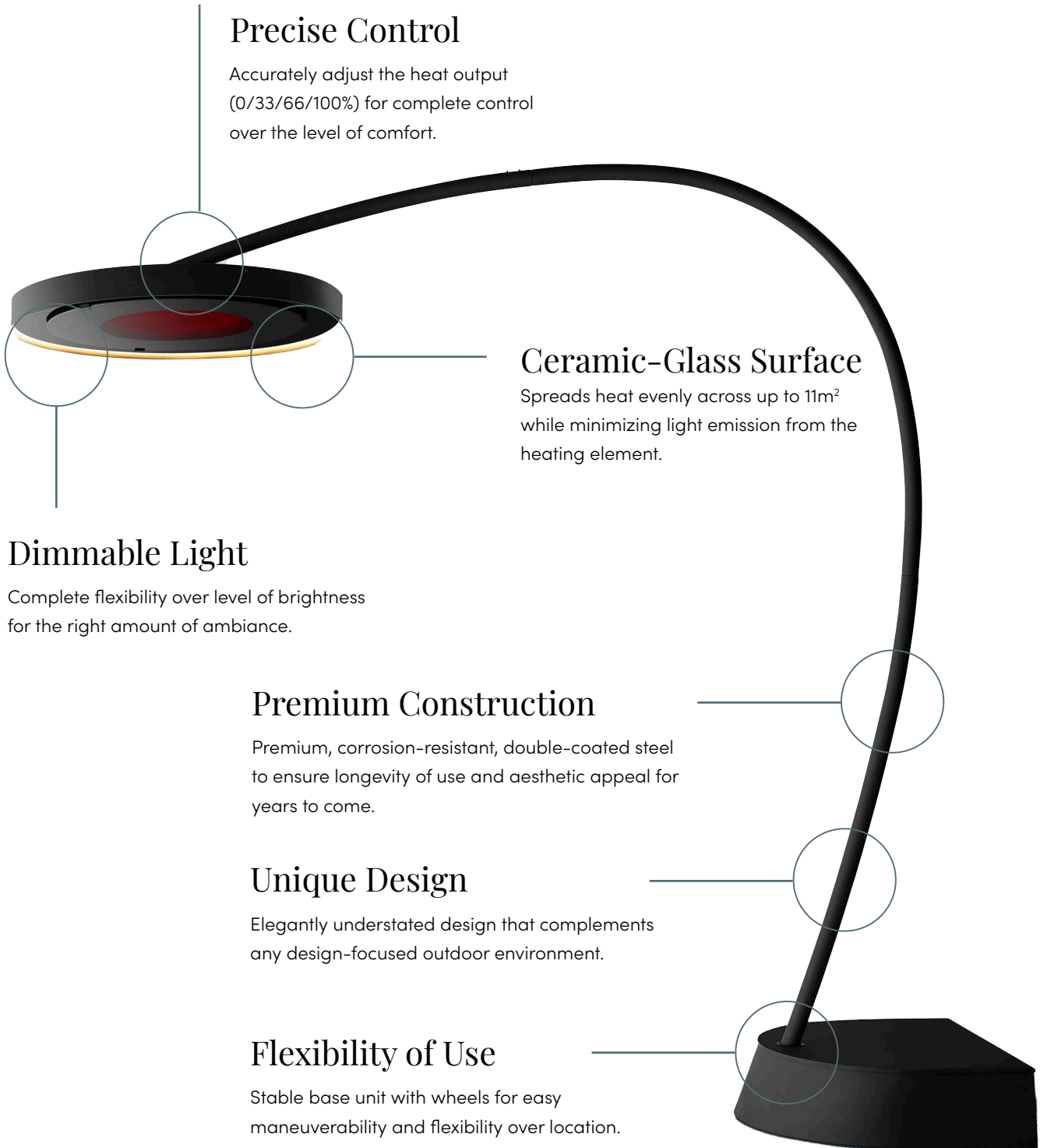
Premium, corrosion-resistant, double-coated steel to ensure longevity of use and aesthetic appeal for years to come.

Unique Design

Elegantly understated design that complements any design-focused outdoor environment.

Flexibility of Use

Stable base unit with wheels for easy maneuverability and flexibility over location.



Controls

Bromic's control options make the operation of your outdoor heater even more convenient. Choose from simple On/Off remotes to dimmer controls to fully integrated smart home solutions.



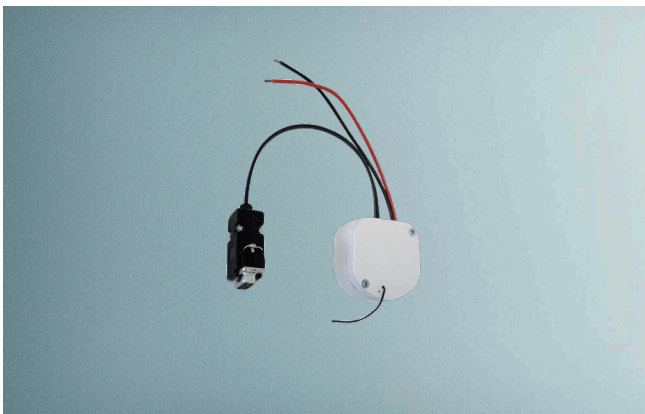
Eclipse Dimmer Controller

Suitable for our Eclipse Pendant and built within the Eclipse Portable series, the Eclipse Dimmer controller can quickly dim the lighting in 1% increments and manage heat output using three presets (33/66/100%) to create the perfect ambiance for any space.



Wireless Eclipse Master Remote

Invaluable for larger venues, the Eclipse Master Remote offers full control over an unlimited number of heaters in up to 6 groups within a 30m range. Compatible with our Dimmer Controller.



Smart-Heat Link

Pair Bromic's control options with the Smart-Heat Link to create a seamless communication between your outdoor heaters and smart home controls technology. The Bromic Smart-Heat Link requires a RS232 port and is compatible with leading home automation systems, such as Control 4, Crestron, Lutron, Nomad and many more!

Performance, Reliability & *Beauty*

Bromic outdoor heaters are recognized all over the world for superior design and performance. From luxury hotels and leading restaurants to distinguished residential outdoor kitchens and exquisite backyards, Bromic outdoor heaters deliver the comfort and ambiance needed to elevate the outdoors.

Available in our distinctive collections, every Bromic outdoor heater is constructed from premium materials to deliver outdoor heating products that provide the perfect balance of performance, reliability and beauty.



Sustainability

The environment has a heating partner.

Bromic is committed to utilizing sustainable design principles. Leveraging outdoor spaces for dining, working, and congregating is a design priority for leading architects around the world and the global pandemic has taught us that outdoor spaces are some of the safest, healthiest, and most necessary elements in both residential and commercial contexts.

The tenants of sustainability are to reduce consumption of non-renewable resources, minimize waste, and create healthy, productive environments.

SUSTAINABLE DESIGN PRINCIPLES INCLUDE THE ABILITY TO:

- Optimize site potential
- Enhance indoor environmental quality
- Minimize non-renewable energy consumption
- Optimize operational and maintenance practices
- Use environmentally preferable products

Utilizing a sustainable design philosophy encourages decisions at each phase of the design process that will reduce negative impacts on the environment and the health of the occupants, without compromising the bottom line.

We continue our commitment to building increasingly efficient outdoor heaters that don't waste energy by heating the air, but rather, heating people with radiant technology. While many competitors' heaters may last only a season or two, Bromic heaters continue to provide warmth and comfort year-after-year, even in commercial environments.



Explore Our Collection Lineup



Eclipse

Available in seven unique mounting options, including portable, the Eclipse Smart-Heat™ Electric collection adds style, warmth and light to design-focused outdoor spaces.



Platinum

With both gas and electric models to choose from, the Platinum Smart-Heat™ collection features premium ceramic glass fascias and stainless-steel frames for a sleek and timeless look.



Tungsten

Our Tungsten Smart-Heat™ gas and electric outdoor heaters come in a stylish, industrial design with a wide selection of heat output and mounting options, including portable.





★★★★★

Everybody that comes here, they comment about these heaters. They've never seen a heater that is this elegant and also incorporates a light fixture."

WENDELL BURNETTE ARCHITECTS

Christopher's Restaurant, Phoenix, AZ

Complimentary Outdoor Heating Design Service

Gas or electric? How many heaters do I need? Where should I mount them? We can help you answer each of these questions. Leverage free, yes, free—professional design services from the technical experts at Bromic Heating.

Your Dedicated Designer

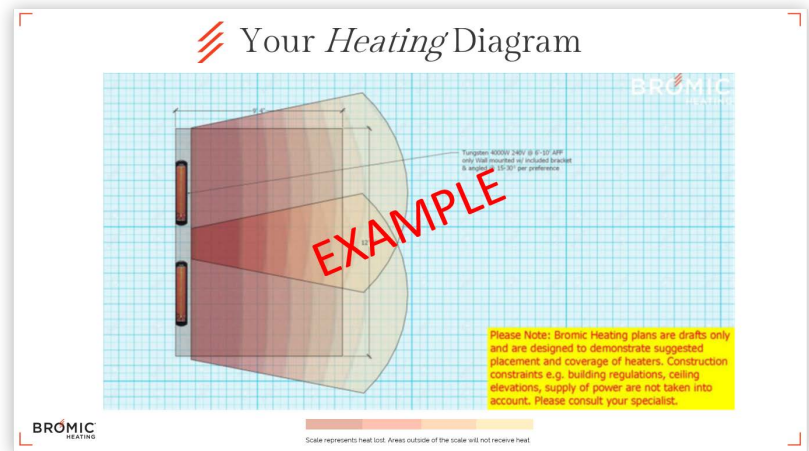
Work one-on-one with an Outdoor Heating Design Professional from start to finish.

2D Heating Space Map

We will work with your architectural plans or site images to ensure that your space is optimally heated.

Part Order List

From mounting options to smart home controls, we'll detail exactly what you should order. We can even connect you to a retail partner if you desire.



Recommended Heating Solution

For your project, we recommend the Eclipse Smart-Heat™ Electric

MODEL	3000W Pendant Series
Fuel Type	Electric
Color	Black
Model #	2620621-1
Heat Area	13m ²
Rated Current & Voltage	12.9 A (220V) 13.5 A (230V) 14.1 A (240V)
Minimum Floor Clearance	2000mm
LED Color	WARM WHITE - DIMMABLE
LED Temperature	3000K
LED Lumens	216.6

[PRODUCT SPECS HERE](#)

[VIEW CASE STUDIES](#)

REQUEST YOUR COMPLIMENTARY DESIGN

Contact



AIA Continuing Education Provider

Expand your expertise in designing outdoor heating projects with our AIA certified online courses.

BROMICUNIVERSITY.COM

UNITED STATES

7595 Irvine Center Drive, Ste. 100
Irvine, California 92618

1 (800) 301-1293

EUROPE

Newtonlaan 115
3584 BH Utrecht
Netherlands

AUSTRALIA

10 Phiney Place
Ingleburn NSW 2565

FOLLOW US:



BROMIC.COM.AU