

AyrKing Corporation

Breader/Blender/Sifter



AyrKing offers a manual breadmaking workstation with integrated automatic Blender/Sifter machine. Rotary brush sifter operates without detrimental vibration or agitation. Spirally configured nylon bristles form an auger to eject unwanted dough balls to a waste container. Ingredients are fully blended as brush tumbles breadmaking media before it exits through sifter screen. Unique process prevents dough ball grinding, eliminates usual sifting noise, & blends ingredients as it ejects waste.



INCLUDED ACCESSORIES

- B101 Red plastic lug plug
- B302 White plastic breadmaking lug with hole
- B303 White plastic breadmaking lug without hole
- B325 White plastic lug cover
- B104 Stainless dough ball pan
- B122 Round dip basket, stainless steel wire
- B123 Round dip pot, stainless steel
- B128 Stainless 2/3 size pan 6" deep
- B241 Swivel casters, four locking 5"

OPTIONAL ACCESSORIES

- B126 Feathering basket, stainless steel wire
- B124 Round dip pot lid, stainless steel
- B302G Gray plastic breadmaking lug with hole
- B303G Gray plastic breadmaking lug without hole
- B325G Gray plastic lug cover

ADVANTAGES

Sift and blend 30 lbs (14 kg) of breadmaking in 60 seconds!

Rotary auger brush blends, sifts, and ejects dough balls simultaneously

Blending brush action prevents ingredient segregation, unlike vibrating or agitating systems

Quiet, vibration-free operation creates results, not disturbances

Sixty second timed cycle frees labor and saves energy

Fully enclosed sifter with only four internal parts, reduces dust and allows quick and easy cleaning

Direct drive, steel geared motor & solid stainless steel fabrication provide lasting performance

Storage space for optional third breadmaking lug

MODELS

BBS-U-L2934

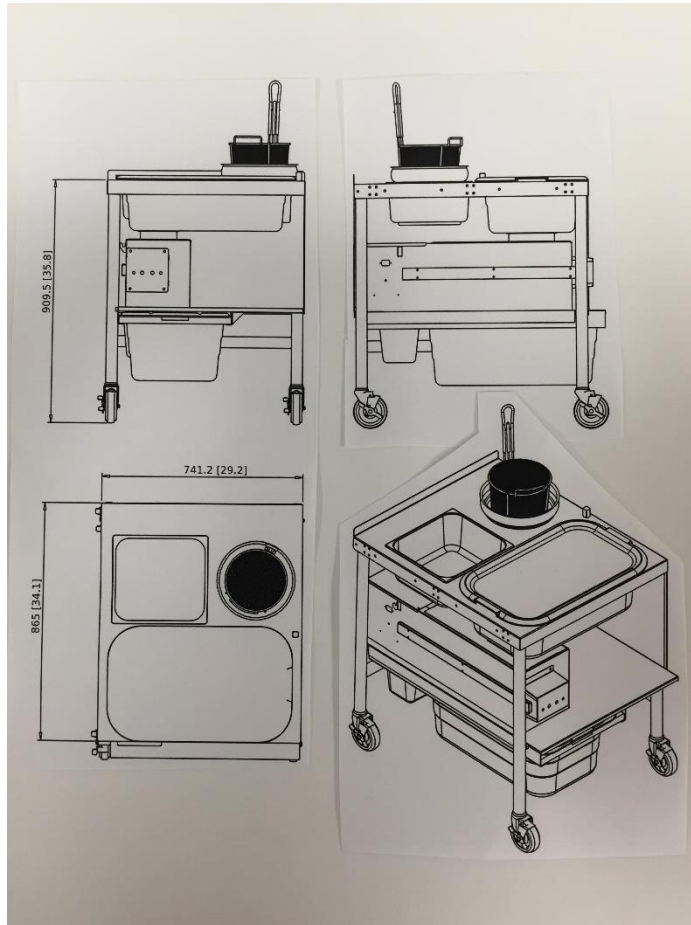
29"L by 34"W table with 2"H rear tabletop backslash

AyrKing Corporation
2013 Cobalt Drive
Louisville, KY 40299-2417

Telephone 502-266-6270
Facsimile 502-266-6274
www.ayrking.com

AyrKing Corporation

Breader/Blender/Sifter



CRATED MEASUREMENTS

MODEL
BBS-U-L2934

<u>LENGTH</u>	<u>WIDTH</u>	<u>HEIGHT</u>	<u>WEIGHT</u>
34" (864mm)	35" (889mm)	40" (1016mm)	200 lb (91kg)

UNCRATED
165lb (75kg)

ELECTRICAL

Timed control board automatically senses voltage & operates at either:

115V, 50/60Hz, 1 phase, 1.6 AMP, 184W

230V, 50/60Hz, 1 phase, 0.9 AMP, 207W

Includes universal male three prong, recessed

AC receptacle (IEC 320 C13) mating to an 8 foot

(2438mm) cord with NEMA 5-15P male three prong plug

WARRANTY

One Year Parts

Ninety Days Labor

No Travel Time

Specifications subject to change without notice. Version 08/17

AyrKing Corporation
2013 Cobalt Drive
Louisville, KY 40299-2417

Telephone 502-266-6270
Facsimile 502-266-6274
www.ayrking.com