



WE ARE THE SPECICOOOLIST!

MSF8305/MSF8306
MSF8308

MEGA TOP NOODLE BARS

Stainless steel GN pans included



Single Door Refrigerator

MSF8305



Double Door Refrigerator

MSF8306



Double Door Refrigerator

MSF8307



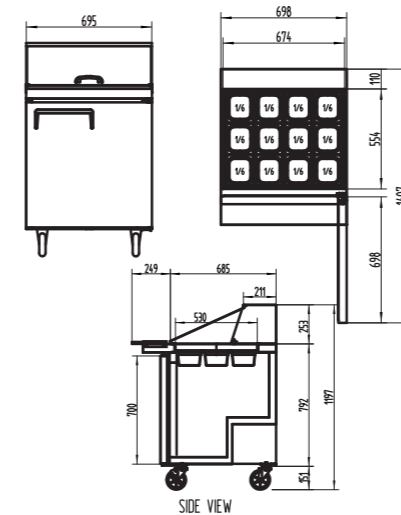
Three Door Refrigerator

MSF8308

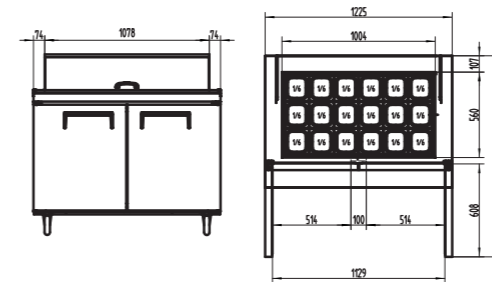
FEATURES

- Stainless steel exterior and interior
- Rear mount compressor with environmentally friendly R600a and R920 refrigerant
- Dixell digital controller
- Maintains temperatures between 40°C~43°C
- 10" cutting board
- Recessed door handle(s)
- Self-closing door(s) with stay open feature
- Magnetic door gasket(s) standard for positive door seal
- One(1) pre-installed shelf per section
- Pre-installed castors
- Comes standard with 1/6 x 100mm deep pans (these units can take full size 1/1 GN pans)
- OPTIONAL EXTRA – Double over tier shelf
- MSF8305 Comes with 1 wired shelves
- MSF8306, MSF8307 Comes with 2 wired shelves
- MSF8308 Comes with 3 wired shelves
- Shelves RRP \$84.50 each

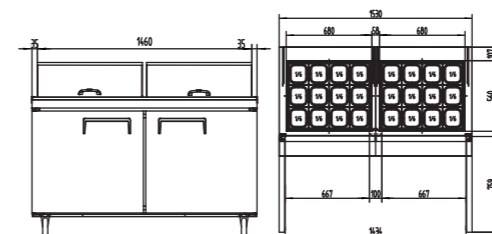
MSF8305



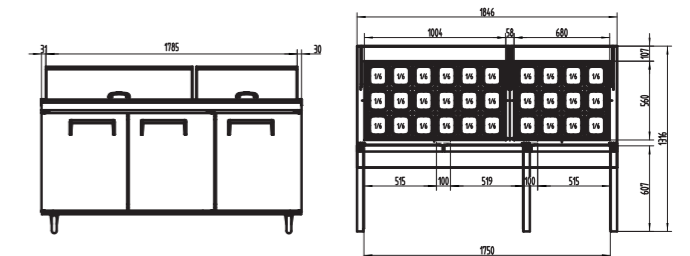
MSF8306



MSF8307



MSF8308



INFORMATION	MSF8305	MSF8306
Capacity	200L	380L
Power	270W	370W
Voltage	220~240V/50Hz	220~240V/50Hz
Working Temp	-2°C~+8°C	-2°C~+8°C
Ambient Temp	43°C	40°C
Dimensions(mm)	W698 x D863 x H1197,77kg	W1225 x D863 x H1197,110kg
Packaging Dimensions(mm)	W752 x D931 x H1247,96kg	W1279 x D931 x H1247,133kg
RRP	\$3,090.00	\$4,190.00

INFORMATION	MSF8307	MSF8308
Capacity	490L	600L
Power	370W	370W
Voltage	220~240V/50Hz	220~240V/50Hz
Working Temp	-2°C~+8°C	-2°C~+8°C
Ambient Temp	40°C	40°C
Dimensions(mm)	W1530 x D863 x H1197,129kg	W1846 x D863 x H1197,144kg
Packaging Dimensions(mm)	W1584 x D931 x H1247,154kg	W1900 x D931 x H1247,172kg
RRP	\$4,490.00	\$5,590.00



2 YEARS WARRANTY ON ALL PARTS & LABOUR
EXTRA 2 YEARS WARRANTY ON PARTS WHEN YOU REGISTER WITH US ONLINE

* All prices are EX-GST

* All prices are EX-GST