



WE ARE THE SPECICOOOLIST!

ESL3800  
ESL3801

## SALADETTES



Two Doors Sliding Lid Saladette

ESL3800



Two Doors Table Saladette

ESL3801



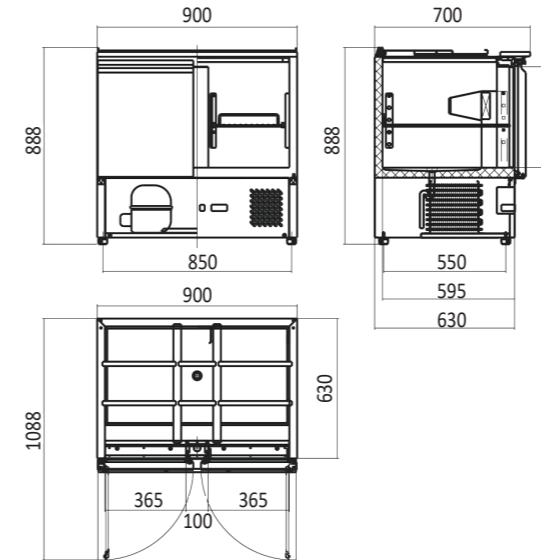
(Optional drawer)

Drawer price: **\$594/SET**  
FOR TWO DRAWERS PER DOOR

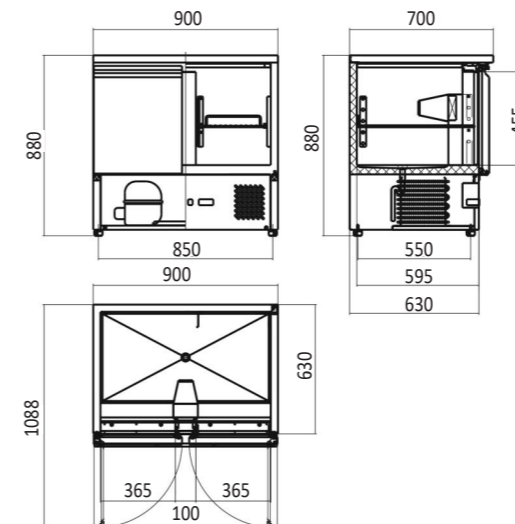
### FEATURES

- High grade stainless steel interior and exterior
- Heavy duty stainless steel top
- 43-degree ambient working temperature
- -2 to 8 degrees working temp
- Insulation foam CH10, ODP zero emissions
- Static cooling system
- Digital controls
- Self-evaporating drainage
- One shelf per door
- Manual defrosting system
- Regular defrosting recommended
- Compressor and condenser situated on bottom
- Unit can be positioned against a wall
- Fits GN pans
- White epoxy shelves and stainless steel rails
- Comes installed with 4 castors for easy mobility
- ESL3800 can fit 6 x 1/3 and 3 x 1/6 GN pans 100mm deep
- GN pans not included
- ESL3800 Comes with 4 wired shelves
- ESL3801 Comes with 4 wired shelves
- Shelves RRP \$65.00 each

### ESL3800



### ESL3801



### INFORMATION

### ESL3800

Capacity	300L
Power	310W
Voltage	220~240V/50Hz
Working Temp	-2°C~+8°C
Ambient Temp	43°C
Dimensions(mm)	W900 x D700 x H950, 70kg
Packaging Dimensions(mm)	W955 x D754 x H1043, 90kg
<b>RRP</b>	<b>\$1,944.00</b>

### INFORMATION

### ESL3801

Capacity	300L
Power	220W
Voltage	220~240V/50Hz
Working Temp	-2°C~+8°C
Ambient Temp	43°C
Dimensions(mm)	W900 x D700 x H943, 72kg
Packaging Dimensions(mm)	W955 x D754 x H1043, 92kg
<b>RRP</b>	<b>\$1,944.00</b>



2 YEARS WARRANTY ON ALL PARTS & LABOUR  
EXTRA 2 YEARS WARRANTY ON PARTS WHEN YOU REGISTER WITH US ONLINE

\* All prices are EX-GST

\* All prices are EX-GST



WE ARE THE SPECICOOLIST!

ESL3850  
ESL3851

## SALADETTES

### FEATURES

- High grade stainless steel interior and exterior
- Heavy duty stainless steel top
- 43-degree ambient working temperature
- -2 to 8 degrees working temp
- Insulation foam CH10, ODP zero emissions
- Static cooling system
- Digital controls
- Self-evaporating drainage
- One shelf per door
- Manual defrosting system
- Regular defrosting recommended
- Compressor and condenser situated on bottom
- Unit can be positioned against a wall
- Fits GN pans
- White epoxy shelves and stainless steel rails
- Comes installed with 4 castors for easy mobility
- ESL3850 fits 12 x 1/3 GN pans 100mm deep
- Sliding lid cover on the ESL3850
- GN pans and lids not included
- ESL3850 Comes with 6 wired shelves
- ESL3851 Comes with 6 wired shelves
- Shelves RRP \$65.00 each



Three Doors Sliding Lid Saladette

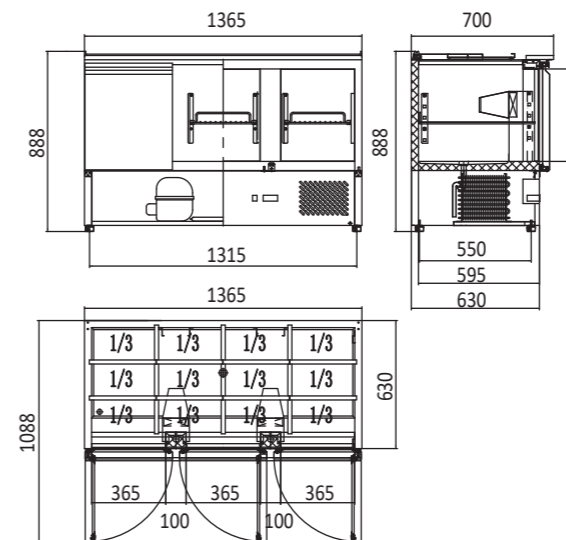
ESL3850



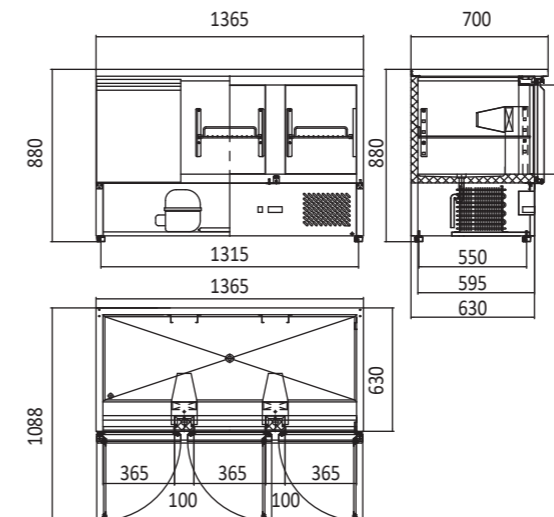
Three Doors Table Saladette

ESL3851

ESL3850



ESL3851



### INFORMATION

ESL3850

Capacity	380L
Power	310W
Voltage	220~240V/50Hz
Working Temp	-2°C~+8°C
Ambient Temp	43°C
Dimensions(mm)	W1365 x D700 x H950, 90kg
Packaging Dimensions(mm)	W1420 x D754 x H1043, 120kg
<b>RRP</b>	<b>\$2,864.00</b>

### INFORMATION

ESL3851

Capacity	380L
Power	220W
Voltage	220~240V/50Hz
Working Temp	-2°C~+8°C
Ambient Temp	43°C
Dimensions(mm)	W1365 x D700 x H943, 94kg
Packaging Dimensions(mm)	W1420 x D754 x H1043, 124kg
<b>RRP</b>	<b>\$2,864.00</b>



2 YEARS WARRANTY ON ALL PARTS & LABOUR  
EXTRA 2 YEARS WARRANTY ON PARTS WHEN YOU REGISTER WITH US ONLINE

\* All prices are EX-GST

\* All prices are EX-GST