



WE ARE THE SPECICOOOLIST!

ESL3800GR
ESL3801GR

SALADETTES



Two Doors Sliding Lid Saladette

ESL3800GR



Two Doors Table Saladette

ESL3801GR



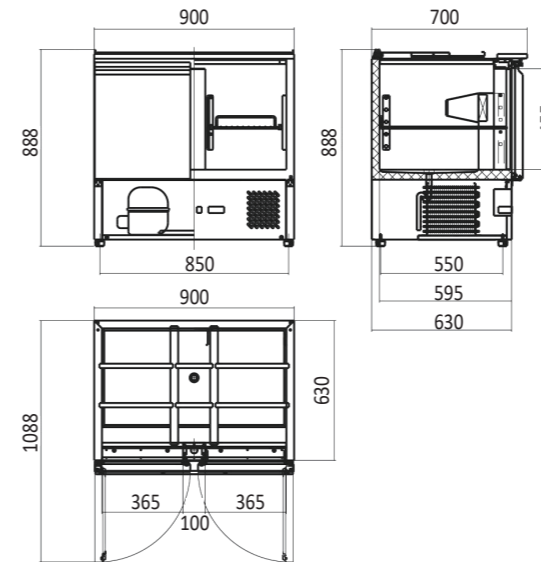
(Optional drawer)

Drawer price: \$594/SET
FOR TWO DRAWERS PER DOOR

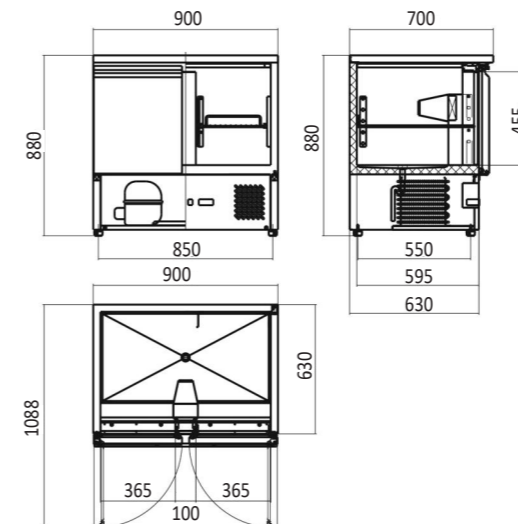
FEATURES

- High grade stainless steel interior and exterior
- Heavy duty stainless steel top
- 43-degree ambient working temperature
- -2 to 8 degrees working temp
- Insulation foam CH10, ODP zero emissions
- Static cooling system
- Digital controls
- Self-evaporating drainage
- One shelf per door
- Manual defrosting system
- Regular defrosting recommended
- Compressor and condenser situated on bottom
- Unit can be positioned against a wall
- Fits GN pans
- White epoxy shelves and stainless steel rails
- Comes installed with 4 castors for easy mobility
- ESL3800GR can fit 6 x 1/3 and 3 x 1/6 GN pans 100mm deep
- GN pans not included
- ESL3800GR Comes with 4 wired shelves
- ESL3801GR Comes with 4 wired shelves
- Shelves RRP \$65.00 each

ESL3800GR



ESL3801GR



INDUSTRY KITCHENS

www.industrykitchens.com.au 1800 611 058

INFORMATION

ESL3800GR

Capacity	300L
Power	310W
Voltage	220~240V/50Hz
Working Temp	-2°C~+8°C
Ambient Temp	43°C
Dimensions(mm)	W900 x D700 x H888, 70kg
Packaging Dimensions(mm)	W955 x D754 x H1043, 90kg
RRP	\$1,944.00

INFORMATION

ESL3801GR

Capacity	300L
Power	220W
Voltage	220~240V/50Hz
Working Temp	-2°C~+8°C
Ambient Temp	43°C
Dimensions(mm)	W900 x D700 x H888, 72kg
Packaging Dimensions(mm)	W955 x D754 x H1043, 92kg
RRP	\$1,944.00



2 YEARS WARRANTY ON ALL PARTS & LABOUR
EXTRA 2 YEARS WARRANTY ON PARTS WHEN YOU REGISTER WITH US ONLINE

* All prices are EX-GST

* All prices are EX-GST



WE ARE THE SPECICOOLIST!

ESL3850GR
ESL3851GR

SALADETTES

FEATURES

- High grade stainless steel interior and exterior
- Heavy duty stainless steel top
- 43-degree ambient working temperature
- -2 to 8 degrees working temp
- Insulation foam CH10, ODP zero emissions
- Static cooling system
- Digital controls
- Self-evaporating drainage
- One shelf per door
- Manual defrosting system
- Regular defrosting recommended
- Compressor and condenser situated on bottom
- Unit can be positioned against a wall
- Fits GN pans
- White epoxy shelves and stainless steel rails
- Comes installed with 4 castors for easy mobility
- ESL3850GR fits 12 x 1/3 GN pans 100mm deep
- Sliding lid cover on the ESL3850GR
- GN pans and lids not included
- ESL3850GR Comes with 6 wired shelves
- ESL3851GR Comes with 6 wired shelves
- Shelves RRP \$65.00 each



Three Doors Sliding Lid Saladette

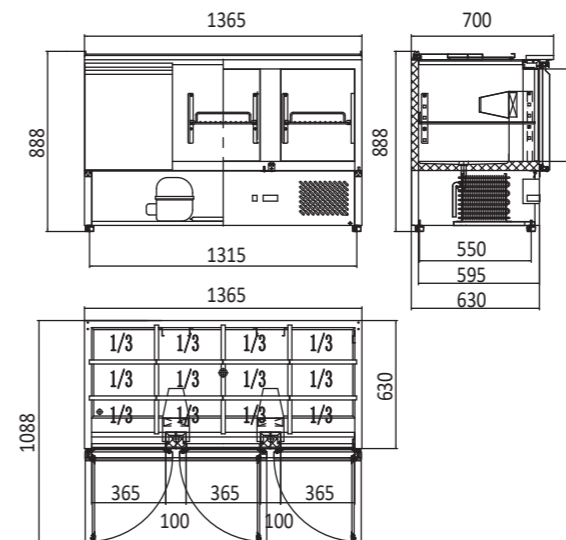
ESL3850GR



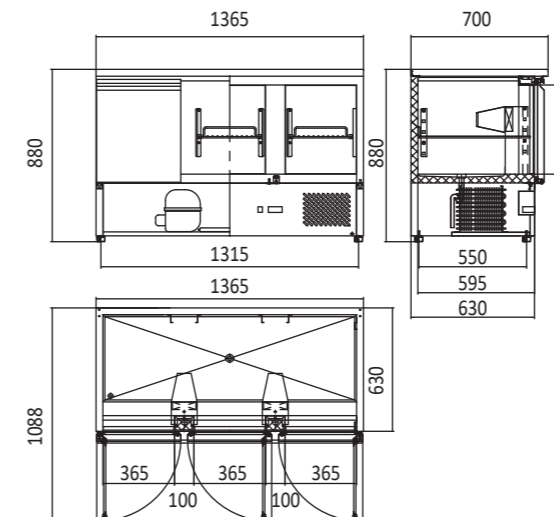
Three Doors Table Saladette

ESL3851GR

ESL3850GR



ESL3851GR



INFORMATION

ESL3850GR

Capacity	380L
Power	310W
Voltage	220~240V/50Hz
Working Temp	-2°C~+8°C
Ambient Temp	43°C
Dimensions(mm)	W1365 x D700 x H888, 90kg
Packaging Dimensions(mm)	W1420 x D754 x H1043, 120kg
RRP	\$2,864.00

INFORMATION

ESL3851GR

Capacity	380L
Power	220W
Voltage	220~240V/50Hz
Working Temp	-2°C~+8°C
Ambient Temp	43°C
Dimensions(mm)	W1365 x D700 x H888, 94kg
Packaging Dimensions(mm)	W1420 x D754 x H1043, 124k
RRP	\$2,864.00



2 YEARS WARRANTY ON ALL PARTS & LABOUR
EXTRA 2 YEARS WARRANTY ON PARTS WHEN YOU REGISTER WITH US ONLINE

* All prices are EX-GST

* All prices are EX-GST