



WE ARE THE SPECICOOOLIST!

EPF3480
EPF3485

**PIZZA PREP TABLE
REFRIGERATORS**



Optional (Glass Top)
ESL3889 / ESL3890



2 Door Refrigerated Pizza
Table with Drawers

EPF3480

FEATURES

- *Stainless steel interior and exterior with galvanised back panel*
- *Gas: R290 and R600a refrigerant*
- *Insulation foam: C5H10, ODP, zero emissions*
- *43°C ambient working temperature*
- *Castors as standard*
- *Digital controller*
- *Can fit in ESL3889 / ESL3890(optional)*
- *Allow 100 mm clearance for air ventilation*
- *Takes 600x400 shelves (not supplied)*
- *No internal shelves supplied*

Optional (Glass Top)
ESL3889 / ESL3890



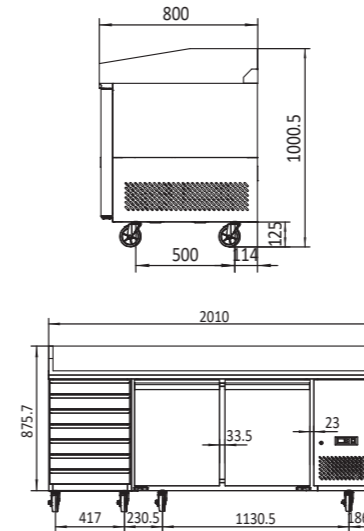
3 Door Refrigerated
Pizza Table

EPF3485



Easy
removable
filter

EPF3480

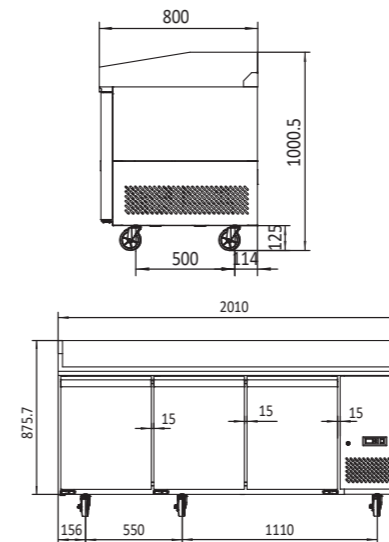


INFORMATION

EPF3480

Capacity	280L
Power	250W
Voltage	220~240V/50Hz
Working Temp	-2°C~+8°C
Ambient Temp	43°C
Dimensions(mm)	W2010 x D800 x H1000,300kg
Packaging Dimensions(mm)	W2065 x D855 x H1055,377kg
RRP	\$5,394.00

EPF3485



INFORMATION

EPF3485

Capacity	420L
Power	400W
Voltage	220~240V/50Hz
Working Temp	-2°C~+8°C
Ambient Temp	43°C
Dimensions(mm)	W2010 x D800 x H1000,267kg
Packaging Dimensions(mm)	W2065 x D855 x H1055,344kg
RRP	\$4,704.00



2 YEARS WARRANTY ON ALL PARTS & LABOUR
EXTRA 2 YEARS WARRANTY ON PARTS WHEN YOU REGISTER WITH US ONLINE

* All prices are EX-GST

* All prices are EX-GST



WE ARE THE SPECICOOOLIST!

EPF3490
EPF3495

PIZZA PREP TABLE REFRIGERATORS



Optional (Glass Top)
ESL3883 / ESL3884



Single Door Refrigerated
Pizza Table with Drawers

EPF3490

Optional (Glass Top)
ESL3883 / ESL3884



Two Door Refrigerated Pizza Table

EPF3495



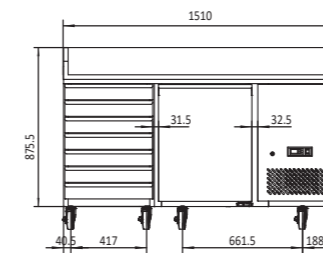
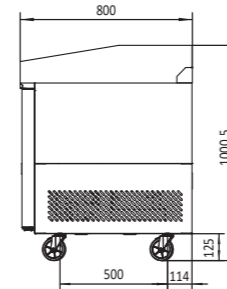
Easy
removable
filter

FEATURES

- *Stainless steel interior and exterior with galvanised back panel*
- *Gas: R600a for fridges*
- *Insulation foam: C5H10, ODP, zero emissions*
- *43°C ambient working temperature*
- *Castors as standard*
- *Digital controller*
- *Fan-forced cooling*
- *Can fit in ESL3884 / ESL3883 (optional)*
- *Allow 100 mm clearance for air ventilation*
- *Takes 600x400 shelf (not supplied)*
- *No internal shelves supplied*

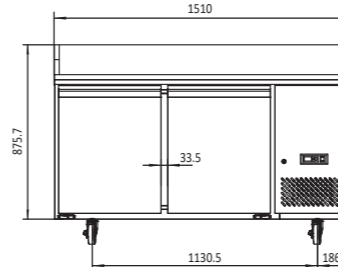
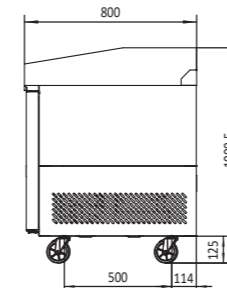
EPF3490

side view



EPF3495

side view



INFORMATION

EPF3490

Capacity	140L
Power	250W
Voltage	220~240V/50Hz
Working Temp	-2°C~+8°C
Ambient Temp	43°C
Dimensions(mm)	W1510 x D800 x H1000.5,246kg
Packaging Dimensions(mm)	W1565 x D855 x H1055,292kg
RRP	\$4,129.00

INFORMATION

EPF3495

Capacity	280L
Power	250W
Voltage	220~240V/50Hz
Working Temp	-2°C~+8°C
Ambient Temp	43°C
Dimensions(mm)	W1510 x D800 x H1000.5,209kg
Packaging Dimensions(mm)	W1565 x D855 x H1055,255kg
RRP	\$3,899.00



2 YEARS WARRANTY ON ALL PARTS & LABOUR
EXTRA 2 YEARS WARRANTY ON PARTS WHEN YOU REGISTER WITH US ONLINE

* All prices are EX-GST

* All prices are EX-GST