



WE ARE THE SPECICOOLIST!

INDUSTRY KITCHENS

www.industrykitchens.com.au 1800 611 058

BD-450/BD-550/BD-650

CHEST FREEZERS

FEATURES

- Low energy consumption
- 70mm thickness insulation
- Manual defrost
- Defrost water drain hole
- Recess handle on front side
- Environmentally friendly
- Stainless Steel Top
- Castors included



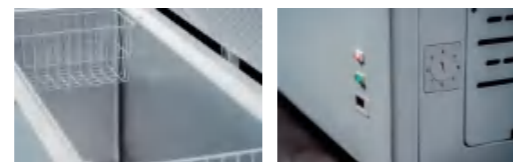
Solid Door Chest Freezer

BD-450



Solid Door Chest Freezer

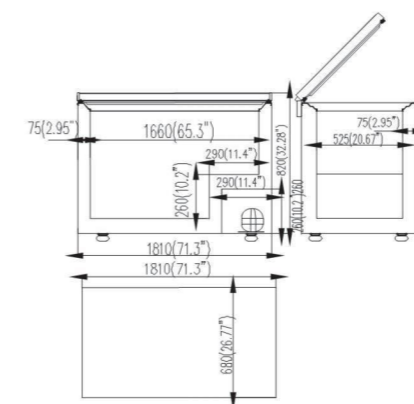
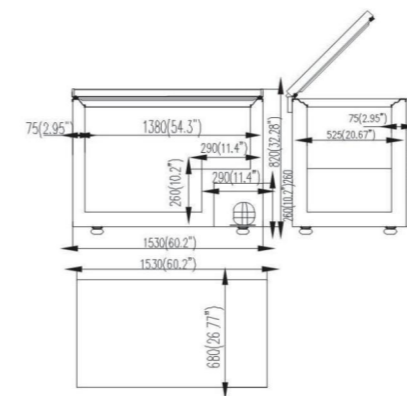
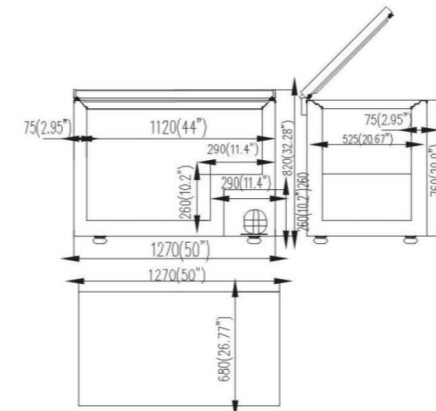
BD-550



Solid Door Chest Freezer

BD-650

BD-450/BD-550/BD-650



INFORMATION BD-450

Capacity	358L
Power	69W
Voltage	220~240V/50Hz
Working Temp	-18°C
Ambient Temp	43°C
Dimensions (mm)	W1270 x D755 x H840,64kg
Packaging Dimensions (mm)	W1320 x D780 x H890,66kg
RRP	\$1,714.00

INFORMATION BD-550

Capacity	450L
Power	71W
Voltage	220~240V/50Hz
Working Temp	-18°C
Ambient Temp	43°C
Dimensions (mm)	W1530 x D755 x H840,73kg
Packaging Dimensions (mm)	W1580 x D780x H890,75kg
RRP	\$1,944.00

INFORMATION BD-650

Capacity	560L
Power	98W
Voltage	220~240V/50Hz
Working Temp	-18°C
Ambient Temp	43°C
Dimensions (mm)	W1810 x D755 x H840,82kg
Packaging Dimensions (mm)	W1860 x D780x H890,84kg
RRP	\$2,289.00



2 YEARS WARRANTY ON ALL PARTS & LABOUR
EXTRA 2 YEARS WARRANTY ON PARTS WHEN YOU REGISTER WITH US ONLINE

* All prices are EX-GST

* All prices are EX-GST