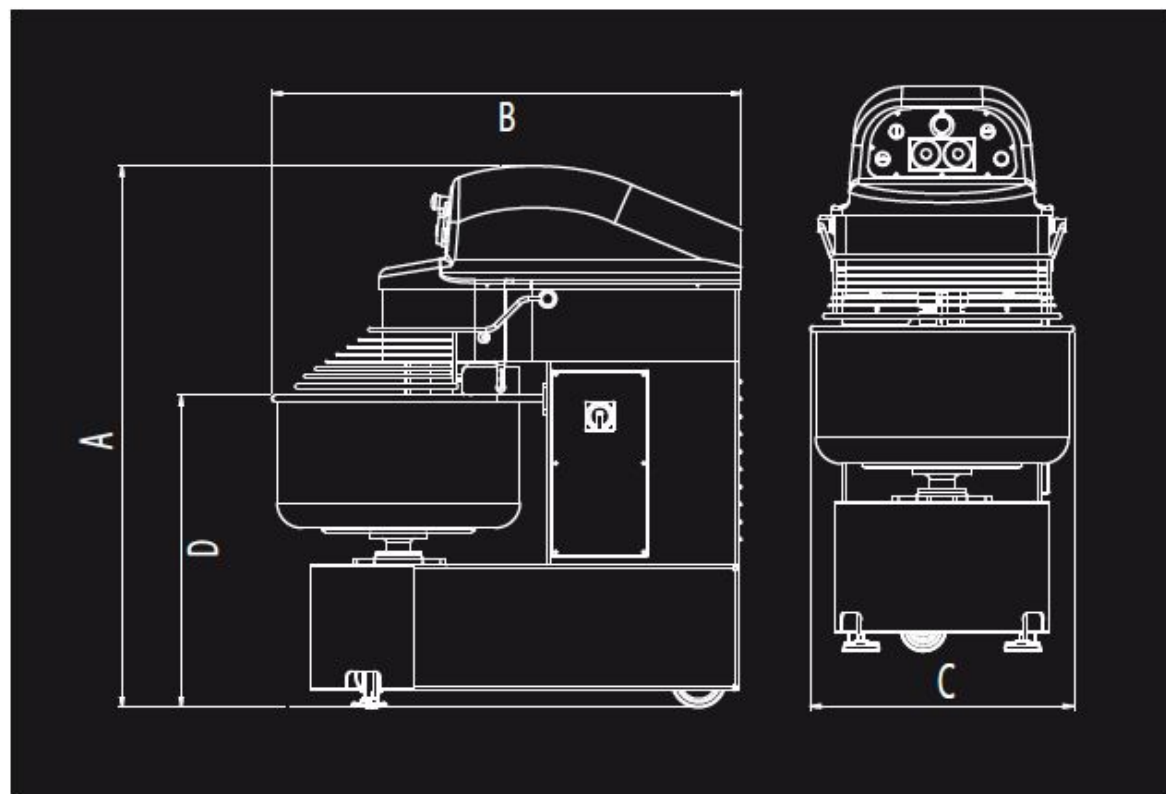


Star Plus 60 Spiral Mixer – Specifications



Features	Specs PLUS 60	Specs PLUS 60 TOUCH SCREEN
Dough Capacity with minimum 55% water content	40 Kg	40 Kg
Flour Capacity	25 kg	25 kg
Bowl Volume	78 lt	78 lt
Motor Power	1,5 / 3 kW	1,5 / 3 kW
Power	415V / 50Hz/ 3 phase	415V / 50Hz/ 3 phase
Height (A)	1345 mm	1345 mm
Depth (B)	1075 mm	1075 mm
Width (C)	580 mm	580 mm
Floor to Bowl rim Height (D)	780 mm	780 mm
Weight	275 Kg	275 Kg
Touch Screen		Variable speed & Programmable