

SYNCRO120, SYNCRO120M, SYNCRO160, SYNCRO160M Roll Divider Rounder

Product Features

- Dough divider rounder for rolls of 30 - 120 or 60 - 160 grams
- LCD panel with drive controller for operator ease
- Output range 1500 - 3500 pieces per hour
- Stress free dividing followed by double rounding
- Dough hopper for up to 12.5kg of dough
- Large weight range without the need to change pistons or rounding drums
- High accuracy and optimal rounding results
- On wheels for easy mobility
- Stainless steel doors and removable panels for quick maintenance
- Image shows Model 120M - fitted with optional long moulder for finger buns and hot dog rolls



SYNCRO120M

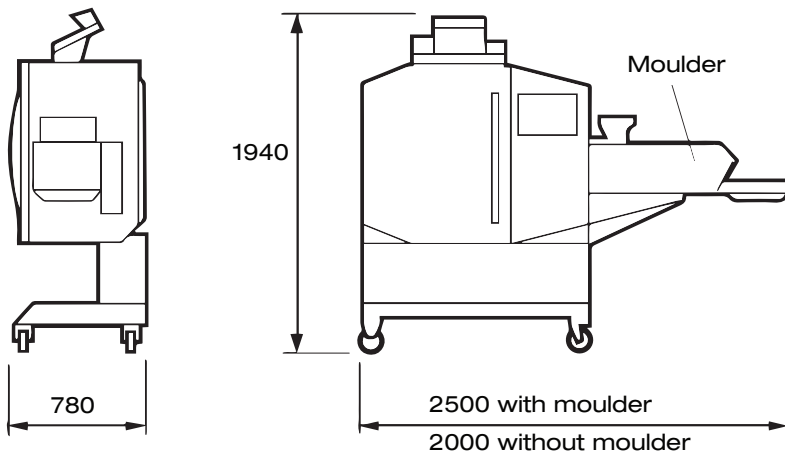
Artezen Equipment offers modern and flexible dough handling solutions to the baking industry by using well tested techniques turned into up-to-date technology. Our range covers the vital parts of the dough handling system required to produce appealing and tasty product while also meeting future consumer demands. Our significant advantages include superior weight and structural accuracy of the products, intuitive and user friendly operating system, guaranteed reliability and professional support.

SYNCRO120, SYNCRO120M, SYNCRO160, SYNCRO160M

Roll Divider Rounder

Models	Roll Weight (grams)	External Dimensions (mm)			Kilowatt	Weight (kg)
		With (A)	Depth (B)	Height (C)		
SYNCRO120	30-120	2000	780	1940	1.2kW	640
SYNCRO120M	30-120	2500	780	1940	1.9kW	770
SYNCRO160	60-160	2000	780	1940	1.2kW	640
SYNCRO160M	60-160	2500	780	1940	1.9kW	770

Electrical Requirements:
400-415V, 3P+N+E, 50Hz



moffat.com.au
moffat.co.nz

Australia
moffat.com.au

Moffat Pty Limited

Victoria/Tasmania
740 Springvale Road
Mulgrave, Victoria 3170
Telephone +613-9518 3888
Facsimile +613-9518 3833
vsales@moffat.com.au

New South Wales
Telephone +612-8833 4111
nswsales@moffat.com.au

South Australia
Telephone +613-9518 3888
vsales@moffat.com.au

Queensland
Telephone +617-3630 8600
qldsales@moffat.com.au

Western Australia
Telephone +618-9413 2400
wasales@moffat.com.au

New Zealand
moffat.co.nz

Moffat Limited

Rolleston
45 Illinois Drive
Izone Business Hub
Rolleston 7675
Telephone +64 3-983 6600
Facsimile +64 3-983 6600
sales@moffat.co.nz

Auckland
Telephone +64 9-574 3150
sales@moffat.co.nz



In line with policy to continually develop and improve its products, Moffat Limited reserves the right to change specifications and design without notice. This specification sheet is meant for commercial purpose only. For technical documentation please refer to our service manuals.

© Copyright Moffat Ltd
ANA1021

an Ali Group Company



The Spirit of Excellence