

## Hood Type Dishwasher

## AH800EPRS

### Product Information:

- High performance hood-type dishwasher
- **E-Management:** intuitive and advanced electronic interface
- **PRS System:** break tank, 316 atmospheric boiler, rinse booster pump
- **HD System:** for maximum uninterrupted performance
- Four wash cycles 90/120/180 seconds, and 9 minute deep clean
- Green standby function that reduces energy consumption when idle
- Low water consumption of 2.5 litres per cycle, minimising water, energy and detergent use
- Pressed wash tank with rounded corners, for increased hygiene
- Stainless steel wash and rinse arms
- Robust upper tank scrap filters in stainless steel
- Manual lift with fully enclosed rear, 3 spring support
- Automatic drain pump with self-cleaning function
- Vertical self-draining wash pump
- Built in thermostop, ensures correct rinse temperatures
- Built in detergent and rinse-aid injection
- **18-months parts and labour warranty**



### Included Accessories:

- 1 x flat cup basket 500x500mm
- 2 x peg plate basket 500x500mm
- 1 x cutlery insert
- 1 x water inlet hose, length 1.5m
- 1 x drain hose, length 2.0m
- Fitted with 150mm adjustable legs

### Optional Accessories:

- Twin hood system
- Remote interface
- Inlet and outlet benches
- Additional baskets

### Specifications:

<b>Model</b>	AH800EPRS
<b>W x D x H (mm)</b>	657 x 793 x 2016
<i>Note: Dimensions do not include handle. Hood open</i>	
<b>Weight</b>	126kg
<b>Packed Dimensions (mm)</b>	770 x 930 x 1720
<b>Packed Weight</b>	145kg

<b>Total Connected Load</b>	9.55kW
- Convertible to:	6.75kW (low power option)

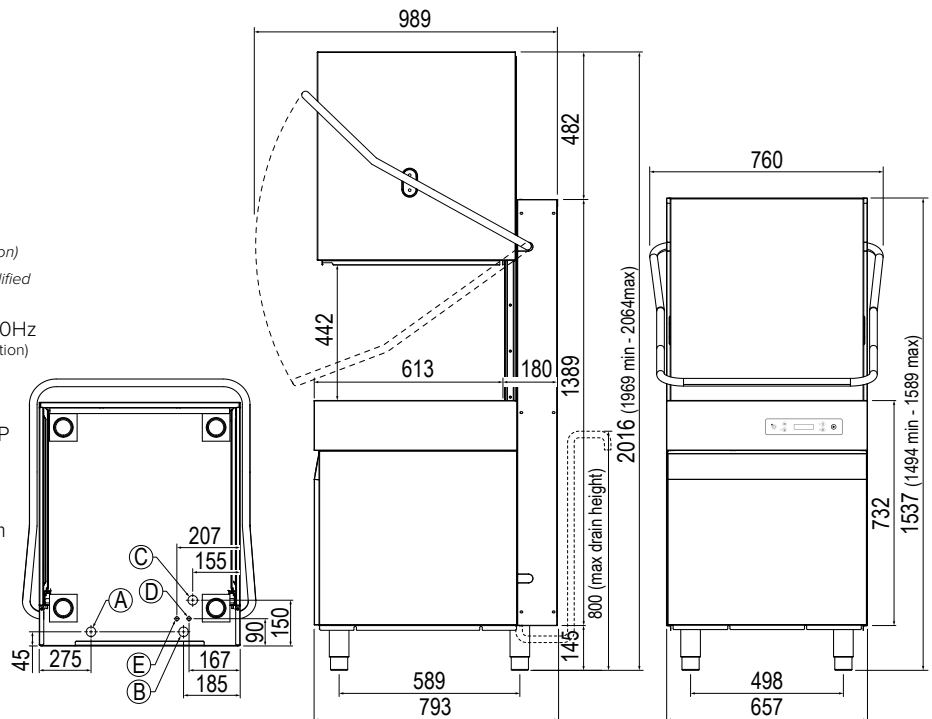
*Note: Unit can be converted to low power option on site by a qualified electrician. This may affect the output of the unit.*

<b>Electrical Connection</b>	3Ø+N+E 415VAC / 50Hz (Lead fitted, onsite connection)
------------------------------	--

<b>Water Quantity Per Cycle</b>	2.5 Litres
<b>Water Connection</b>	1.5m Hose / 3/4" BSP
<b>Water Inlet Pressure</b>	100 - 500KPA
<b>Tempered water supply</b>	10°C - 60°C
<b>Waste Connection</b>	2m Hose / ø20.5mm

### Legend:

- A** Electrical Connection
- B** Water Connection
- C** Drain Connection
- D** Detergent Connection
- E** Rinse-Aid Connection



Due to continuous product research and development, the information contained herein is subject to change without notice.

Revision: A - 20/02/2024 - 02

