



INDUSTRY
KITCHENS

www.industrykitchens.com.au 1800 611 058

AARRB.48
CHAR GRILLS



Model shown with optional equipment stand

TECHNICAL DATA:

Dimensions (W x D x H): 1219 x 828 x 437 (1137)*
 Total Weight: 165 Kg
 Char Grill: 1219mm wide 128MJ/Hr Char Grill

GAS DETAILS	Natural Gas (NG)	Universal LP Gas (ULPG)
Minimum Supply Pressure	1.13 kPa	2.75 kPa
Operating Pressure	1.0 kPa	2.49 kPa
Total Gas Supply	128MJ/Hr	120MJ/Hr
3/4" BSP connection		

*Height on optional stand

NOTE: It is the responsibility of the installing gas plumber to ensure correct supply and connection sustaining appropriate pressure when all appliances are full on.

PROJECT _____
 ITEM _____
 QUANTITY _____
 DATE _____

The Char Grill Series is designed for heavy duty use and performance. All the latest technology is incorporated to provide the best value for money.

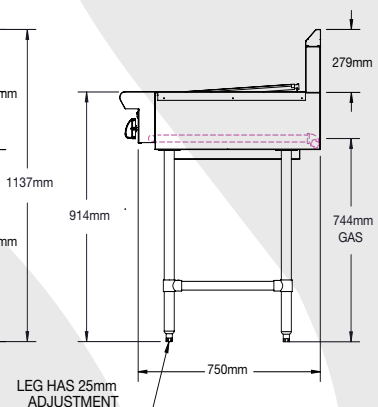
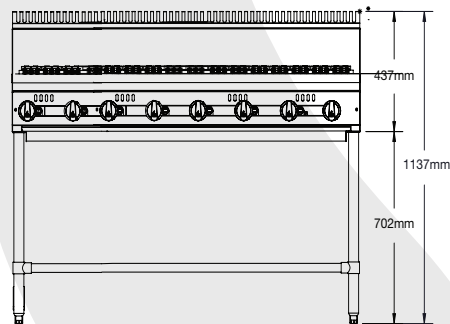
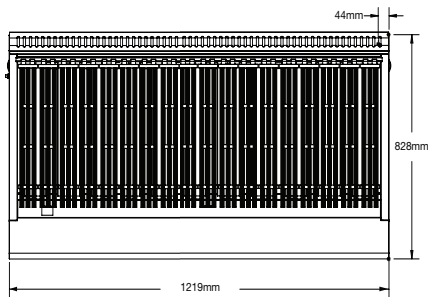
Quality, dependability and customer satisfaction make American Range the ultimate choice.

FEATURES & BENEFITS:

- Heavy duty radiants for optimum heat distribution to cast iron grates
- Radiants are individually removable for easy cleaning
- Heavy duty cast top grates are angled to control flare-up. Reversible for flexibility of cooking different proteins.
- 14 gauge all welded heavy duty reinforced firebox
- Stainless steel polished front and trim for easy cleaning, with fully insulated double layered steel chassis
- Individually controlled stainless steel burners placed every 140mm, providing maximum output, flexibility and low maintenance
- Removable full width drip pan under char grill
- Char Grill burner - Manually lit with pilot. Simple - low maintenance

OPTIONAL EXTRAS:

- 102mm adjustable legs
- Equipment stand
- Castor kits



Due to continuous product research and development, the information contained herein is subject to change without notice.

Revision: 15/8/2019

www.stoddart.com.au
 www.stoddart.co.nz