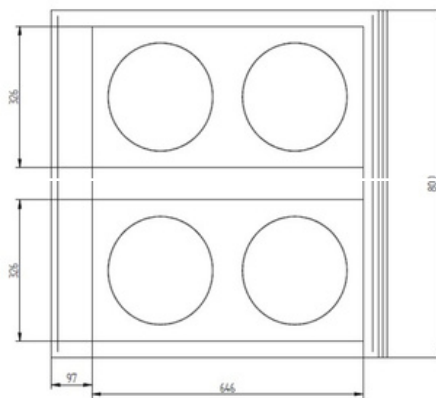
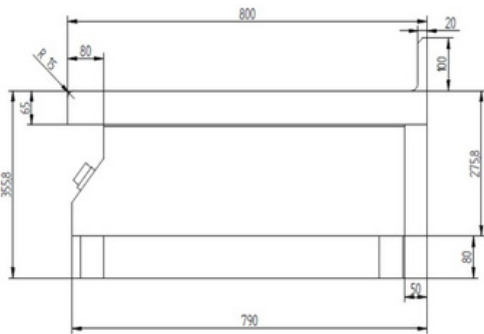
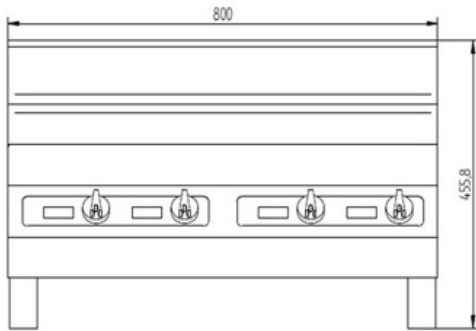




MADE IN FRANCE

### MO4I - 4000 x4

Setting	Watts	Setting	Watts
1	50	11	1600
2	100	12	1800
3	200	13	2000
4	300	14	2200
5	400	15	2400
6	600	16	2700
7	800	17	3000
8	1000	18	3300
9	1200	19	3600
10	1400	20	4000



### Technical Data:

<b>Model</b>	Heavy Duty Modular 4 Zones Induction Unit
<b>Material</b>	Steel / Galvanised steel / Ceramic Glass
<b>Power</b>	16000 watts (4 x 4 K each zone)
<b>Temperature</b>	From 50 ° C up to 280 ° C
<b>Power supply</b>	415 3 phase AC - 50 Hz
<b>Electric current</b>	28 A per phase
<b>Controls</b>	360° knobs 20 power levels
<b>Ceramic glass dimensions</b>	each 326 x 646 mm
<b>Appliance dimensions</b>	800 x 800 x 455 mm
<b>Copper coil diameter</b>	230 mm
<b>Cookware min / max diameter</b>	110 / 280 mm

