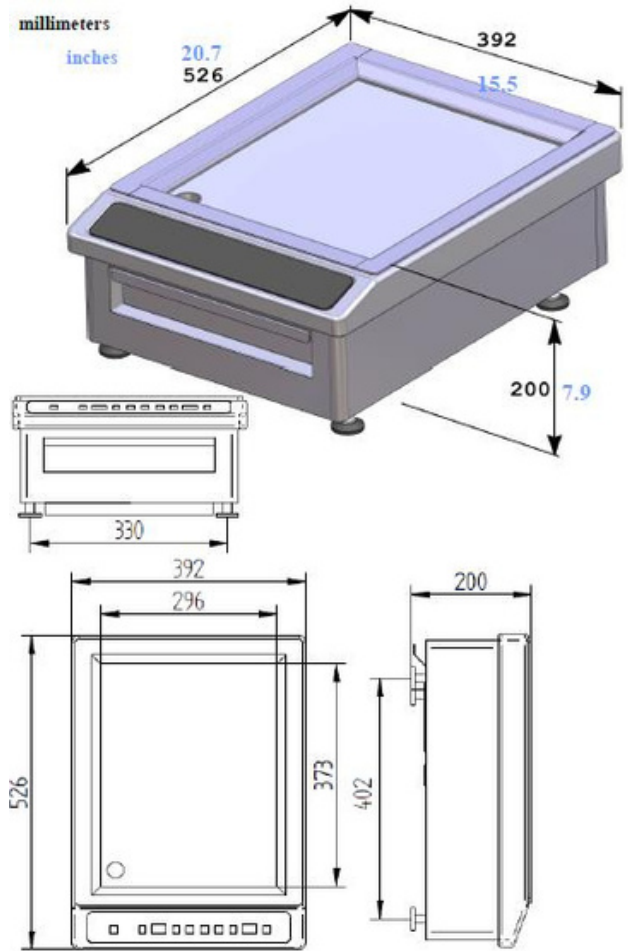




MADE IN FRANCE

Ready to use – Place on a counter, Plug & Play

| Temperature (° C) |
|--------------------|
| 50 |
| 70 |
| 90 |
| 110 |
| 130 |
| 150 |
| 170 |
| 190 |
| 210 |
| 230 |
| 250 |
| 280 |



Product Advantages:

- Controls: Glass touch control panel. On/Off (+/-) to select the power with screen, 3 programmable touches P1, P2, P3 (your choice of power to be memorized).



Technical Data:

| | |
|------------------------|--|
| Width x Depth x Height | 392 x 531 x 250 mm |
| Connected load (kW) | 3 |
| Voltage (V) | 240 1 phase AC |
| Recommended fuses | 1 x 15 |
| (A) External Structure | AISI 304 stainless steel |
| Cooking surface | Grill surface in a multi layer material |
| Generator coil | 280 mm diameter |
| Weight (net) | 17.8 kg |
| Details and options | Including a 1m60 power cord and a filter (wash regularly). Spatula available upon request. |

