



Product Guide



ADANDE SLIMLINE SIDE ENGINE UNIT (VLS)

| Model | Base Configuration | Top Configuration | Surface Height | Max Weight Loading |
|-------|--------------------|-------------------|----------------|--------------------|
|-------|--------------------|-------------------|----------------|--------------------|

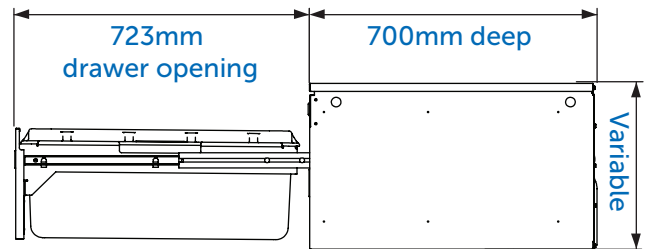
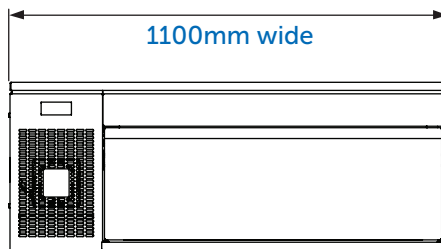
Slimline Height (VLS) Single Drawer Side Engine Units



| | | | | |
|-----------|-----------------|----------------|-------|-------|
| VLS1.CHS | Standard Castor | Heatshield Top | 487mm | 300kg |
| VLS1.HCHS | High Castor | Heatshield Top | 567mm | 235kg |
| VLS1.LHS | Adjustable Leg | Heatshield Top | 540mm | 300kg |

Storage Capacity Per Unit (VLS1)

2 x 100mm deep
4 x 65mm deep
1/1 GN Pans



Double Drawer Units - Side Engine

Available in 3 different configurations, Adande double drawer units can utilise either 2 slimline drawers (VLS), 2 x Standard height drawers (VCS) or a combination of 1 of each drawer (VNS), providing a wider variety of finished heights



| | | | | |
|---------|-----------------|----------------|-------|-------|
| VLS2.PT | Plinth slides | Cover Top | 699mm | 0kg |
| VLS2.CT | Standard Castor | Cover Top | 772mm | 0kg |
| VLS2.CW | Standard Castor | Solid Work Top | 784mm | 230kg |

| | | | | |
|---------|-----------------|-----------|-------|-----|
| VNS2.PT | Plinth Slides | Cover Top | 757mm | 0kg |
| VNS2.CT | Standard Castor | Cover Top | 833mm | 0kg |

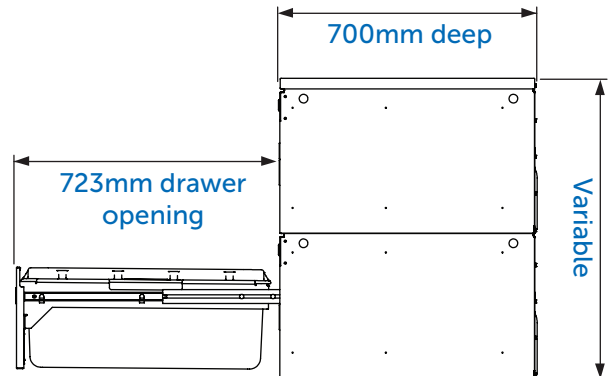
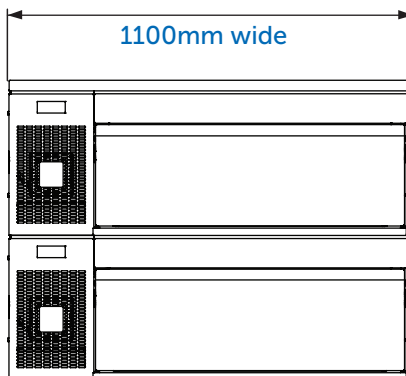
Storage Capacity Per Unit (VLS2)

4 x 100mm deep
8 x 65mm deep
1/1 GN Pans

Storage Capacity Per Unit (VNS2)

Slimline: 2 x 100mm deep
4 x 65mm deep
1/1 GN Pans

Standard: 4 x 100mm deep
6 x 65mm deep
1/1GN Pans



Brisbane

Sydney

Melbourne

Perth

Adelaide

1300 79 1954
www.stoddart.com.au

Auckland

0800 79 1954
www.stoddart.co.nz

Manufactured or Imported
& distributed exclusively by:



STODDART[®]

