



Product Guide



ADANDE SLIMLINE SIDE ENGINE UNIT (VLS)

Model	Base Configuration	Top Configuration	Surface Height	Max Weight Loading
-------	--------------------	-------------------	----------------	--------------------

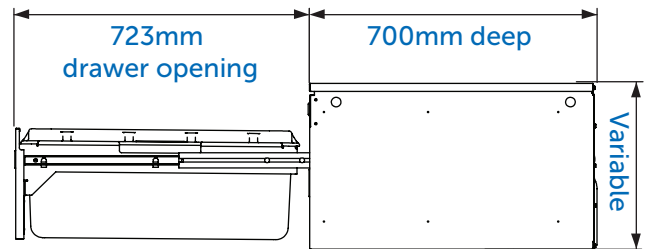
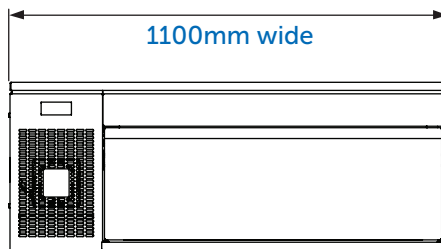
Slimline Height (VLS) Single Drawer Side Engine Units



VLS1.CHS	Standard Castor	Heatshield Top	487mm	300kg
VLS1.HCHS	High Castor	Heatshield Top	567mm	235kg
VLS1.LHS	Adjustable Leg	Heatshield Top	540mm	300kg

Storage Capacity Per Unit (VLS1)

2 x 100mm deep
4 x 65mm deep
1/1 GN Pans



Double Drawer Units - Side Engine

Available in 3 different configurations, Adande double drawer units can utilise either 2 slimline drawers (VLS), 2 x Standard height drawers (VCS) or a combination of 1 of each drawer (VNS), providing a wider variety of finished heights

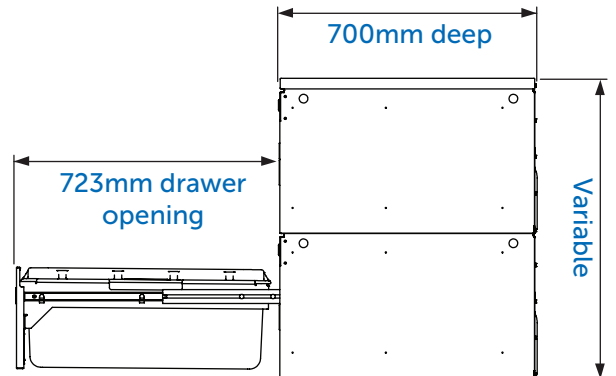
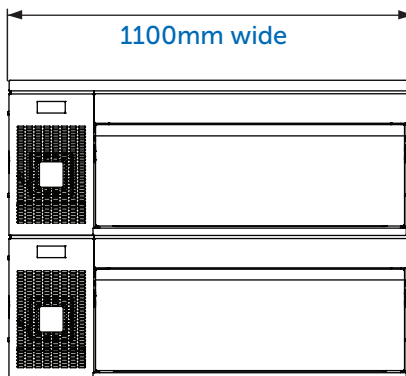


VLS2.PT	Plinth slides	Cover Top	699mm	0kg
VLS2.CT	Standard Castor	Cover Top	772mm	0kg
VLS2.CW	Standard Castor	Solid Work Top	784mm	230kg

VNS2.PT	Plinth Slides	Cover Top	757mm	0kg
VNS2.CT	Standard Castor	Cover Top	833mm	0kg

Storage Capacity Per Unit (VLS2)

4 x 100mm deep
8 x 65mm deep
1/1 GN Pans



Storage Capacity Per Unit (VNS2)

Slimline: 2 x 100mm deep
4 x 65mm deep
1/1 GN Pans

Standard: 4 x 100mm deep
6 x 65mm deep
1/1GN Pans

Brisbane

Sydney

Melbourne

Perth

Adelaide

1300 79 1954
www.stoddart.com.au

Auckland

0800 79 1954
www.stoddart.co.nz

Manufactured or Imported
& distributed exclusively by:



STODDART[®]

