

WEIGHING
A&D

WASHDOWN SCALES



SC/SE SERIES

SC SERIES

Stainless Steel Construction

Stainless Steel
(SUS304) frame



SC-30KAM
60KAM
150KAM



SC-60KAL
150KAL



SC/SE SERIES

IP68 Washdown – A New Standard of Bench Scales for Harsh Environments

The SC/SE Series bench scale is constructed with a completely sealed indicator and a washdown base that meets IP68 standards. It provides exceptional performance with a stabilization speed of just 1 second!



WASHDOWN SCALES

SE SERIES

Mild Steel Construction

Mild Steel frame



SE-30KAM
60KAM
150KAM



SE-60KAL
150KAL

Features of all SC/SE models

- IP68 dust and water-proof
- Washdown construction for easy cleaning
- 4500 hours of continuous operation with 6 D batteries¹
- Supersized LCD of 39 mm character height
- Easily switchable, multiple weighing units (kg, lb, oz, and pcs)
- Stabilization speed of 1 second
- Stainless steel weighing pan
- Waterproof and corrosion-resistant load cell²
- Quick USB interface³ or RS-232C + comparator relay output available as options

1) Batteries are not included.

2) Aluminum anodized and coated with epoxy resin with protective silicon over wiring.

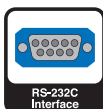
3) Cables are not included



Easily removable battery unit



Battery life indicator



SC/SE Series Specifications

MODEL		SC-30KAM SE-30KAM	SC-60KAM SE-60KAM	SC-150KAM SE-150KAM	SC-60KAL SE-60KAL	SC-150KAL SE-150KAL
lb	Capacity	66	130	330	130	330
	Min. Display	0.02 0.01*	0.05 0.02*	0.1 0.05*	0.05 0.02*	0.1 0.05*
oz	Capacity	1050	2100	5200	2100	5200
	Min. Display	0.5 0.2*	1 0.5*	2 1*	1 0.5*	2 1*
kg	Capacity	30	60	150	60	150
	Min. Display	0.01 0.005*	0.02 0.01*	0.05 0.02*	0.02 0.01*	0.05 0.02*
Sample Qty (for counting)		5 pieces (can be changed to 10, 20, 50 or 100)				
Maximum count		60,000 pcs	60,000 pcs	75,000 pcs	60,000 pcs	75,000 pcs
Minimum unit weight		0.0005 kg	0.001 kg	0.002 kg	0.001 kg	0.002 kg
Repeatability (Std. deviation)		0.005 kg	0.01 kg	0.02 kg	0.01 kg	0.02 kg
Linearity		±0.01 kg	±0.02 kg	±0.05 kg	±0.02 kg	±0.05 kg
Sensitivity drift		±20 ppm / °C (5°C to 35°C / 41°F to 95°F)				
Display		7 segment LCD display (character height 39 mm)				
Display update		10 times per second				
Operating conditions		-10°C to 40°C / 14°F to 104°F, 85% R.H. or less (non-condensing)				
Power supply		Size D batteries x6, Approximately 4,500 hours using alkaline batteries (models are battery power only)				
Weighing pan size		300 x 380 mm / 11.8 x 15 in.			390 x 530 mm / 15.4 x 20.9 in.	
Dimensions	SC	300(W) x 543(D) x 717(H) mm / 11.8(W) x 21.4(D) x 28.2(H) in.			390(W) x 688(D) x 717(H) mm / 15.4(W) x 27.1(D) x 28.2(H) in.	
	SE	300(W) x 582(D) x 722(H) mm / 11.8(W) x 22.9(D) x 28.4(H) in.			390(W) x 732(D) x 722(H) mm / 15.4(W) x 28.8(D) x 28.4(H) in.	
Weight (approximately)		26.5 lb / 12 kg			35.3 lb / 16 kg	
Calibration weight*		60 lb / 30 kg	120 lb / 60 kg	300 lb / 150 kg	120 lb / 60 kg	300 lb / 150 kg

* Factory setting

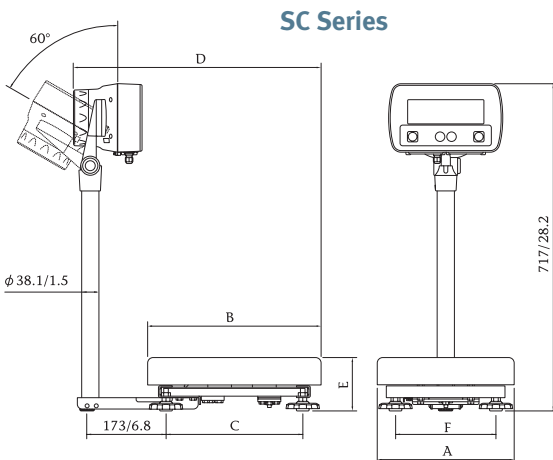
Options

- SCE-02 Quick USB interface
- SCE-03 RS-232C interface with comparator relay output

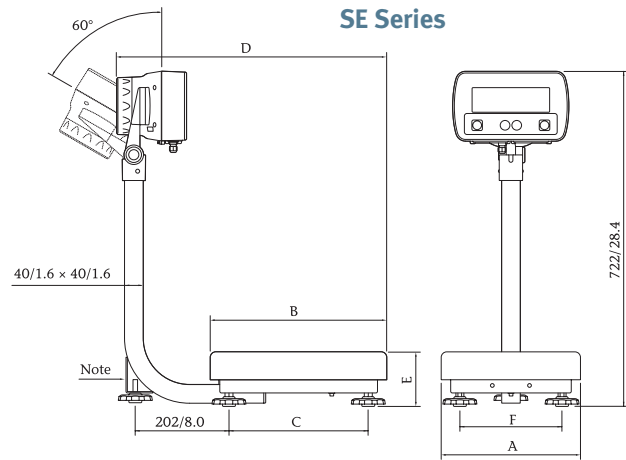
* SCE-02 and SCE-03 cannot be used at the same time.
* The SC / SE is not IP68 compliant with SCE-02 or SCE-03.



External Dimensions (mm/inches)



Model	A	B	C	D	E	F
SC-30KAM / 60KAM / 150KAM	300/11.8	380/15.0	300/11.8	543/21.4	117/4.6	220/8.7
SC-60KAL / 150KAL	390/15.4	530/20.9	440/17.3	688/27.1	123/4.8	300/11.8



Model	A	B	C	D	E	F
SE-30KAM / 60KAM / 150KAM	300/11.8	380/15.0	300/11.8	582/22.9	118/4.7	220/8.7
SE-60KAL / 150KAL	390/15.4	530/20.9	440/17.3	732/28.8	128/5.0	300/11.8

Note) The pole support foot is for the SE-30KAM/60KAM/150KAM only.