



GENERAL CHARACTERISTICS

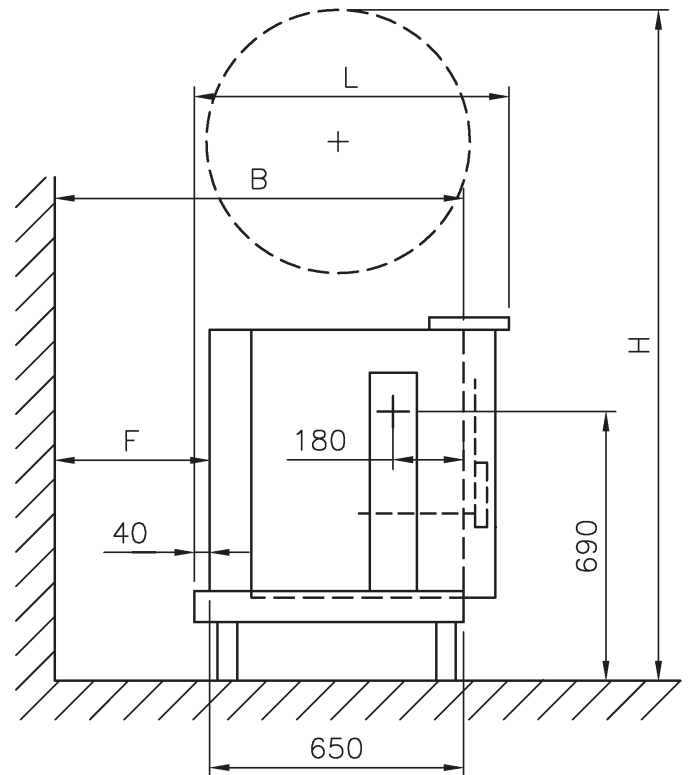
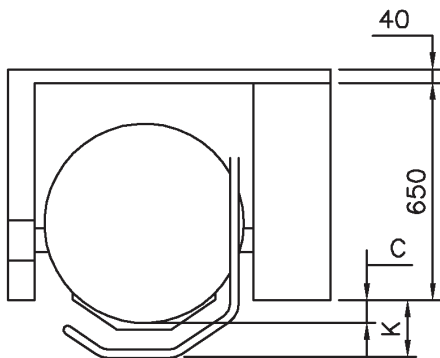
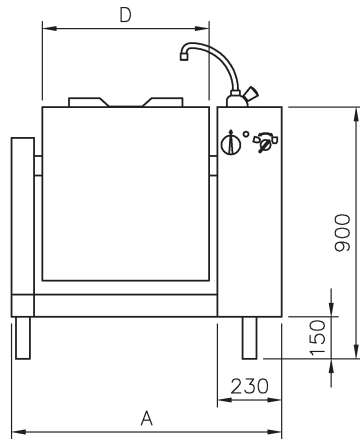
- Nominal content: 40, 60, 80, 100 and litres
- Kettle bowl in 316 acid resistant steel, all other parts in 304 stainless steel
- Fully welded, insulated kettle body with a volume scale inside the kettle
- Working pressure: 1,0 bar
- Max. steam temperature: 120° C
- Integrated isolator switch
- Pressure gauge
- Unheated top for lower energy waste and better comfort
- Hinged easy open/close lid with an ergonomic lid arm
- Lid made from stainless steel
- Maximum temperature on the outside of the kettle bowl after 3 hours cooking: <40°C
- Working height: 900 mm
- Electrically heated kettles have automatic filling of water in the steam generator
- Spray gun

CONTROL AUTOTEMP 02 E

- Electronic heat control with turning knob
- Water filling into the kettle with cold water dispenser
- Automatic water filling into the steam generator when water level is low
- Indicator light for kettle in use
- Indicator light to indicate excessive pressure in the kettle/ overheating of heating elements

OTHER OPTIONS

- Drain valve/ Butterfly valve
- Rotatable lid



Product Code	Type	Dimensions									Electric			Water		
		A (mm)	B (mm)	C (mm)	D (mm)	F (mm)	H (mm)	K (mm)	L (mm)	Nom/Brim volume (L)	Weight (kg)	Rated Power (kW)	Current consumption (A)	Time to boil 10-90°C (min)	COLD	HOT
AU111001	EasyStand 40	916	750	43	546	100	1728	178	753	40/48	136	15	3x22	ca. 15	1/2", 1.5-6 bar	1/2", 1.5-6 bar
AU111002	EasyStand 60	965	774	68	595	124	1779	203	778	60/70	148	15	3x22	ca. 23		
AU111003	EasyStand 80	995	829	83	625	179	1800	218	793	80/91	167	15	3x22	ca. 30		
AU111004	EasyStand 100	1045	860	108	675	210	1830	243	818	100/113	172	20	3x29	ca. 28		

SPECIFICATIONS ARE SUBJECT TO CHANGE WITHOUT NOTICE. Drawing and mounting can not be made from these data alone. Further measurements, other voltages and connections and information about electrics, water, steam, compressed air and special conditions regarding leakage current is available in the complete technical data.