

Rollmatic Samurai Bench Bread Slicers

Description

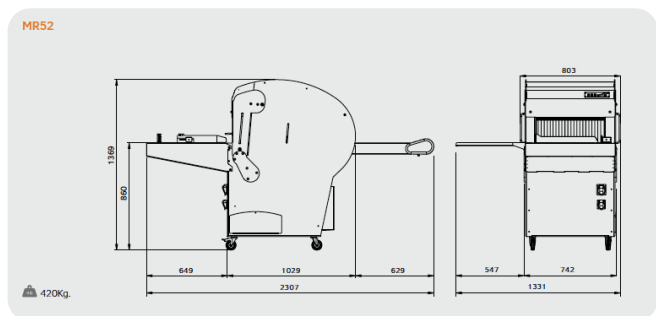
The name of the Samurai line of **bread slicers** is inspired by the historical Japanese warriors and their sword, the famous "katana", conveying powerful and accurate cutting. The choice of name is hardly accidental, Rollmatic slicers guarantee performance and efficiency in cutting for any sort of bread.

In compliance with the latest European standards, this line provides state of the art safety. It is easy and safe to clean due to its crumb tray box with microswitch which, as a precautionary measure, prevents the machine from starting if it has not been closed.

The pleasing aesthetic of the models, their personalised colours, small dimensions, noiselessness and ergonomics make them easy to integrate in shops or supermarket sales areas. The different available models, from the bench type to the industrial type, together with options such as the bag-opening blower, oiler, and Teflon blades, provide high productivity and better cutting results, for either hard crust bread, or softer breads such as rye, which are more difficult to slice. Blades are easily replaced. The parts in contact with the bread are made of stainless steel.

Rollmatic Samurai MR52 Industrial Bread Slicer

MR52 has an interchangeable knife frame allowing you to cut different thicknesses. Automatic bread slicer for artisanal-industrial use. High productivity and rear loading. Two motor-driven belts to carry products, inverter to adjust the feeding speed of the belt, electrical adjustment of cutting height, adjustable guide rails for product alignment. Extendable feeding belt and optional gravity chute. Version with motor-driven frontal belt for packaging into bags. Bag blower available.



Rollmatic Samurai Bench Bread Slicers

Rollmatic Samurai Bench Bread Slicers Specifications

Rollmatic Samurai Bread Slicer	G42C	CP42	MR52
Loaf Passage - Width	420 - 520mm		520mm
Loaf Passage - Height	60 - 160 mm		50 - 160 mm
Slice thickness	Single thickness specified on order		
Installed Power	0.75 Kw -415V, 3 phase, 10 Amp		
Net Weight	98 kg	107 kg	420 kg
Safety Photocells	N/A	N/A	Yes