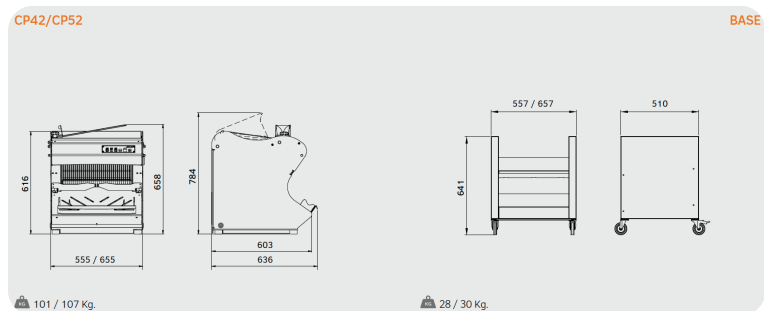


Rollmatic Samurai Bench Bread Slicers

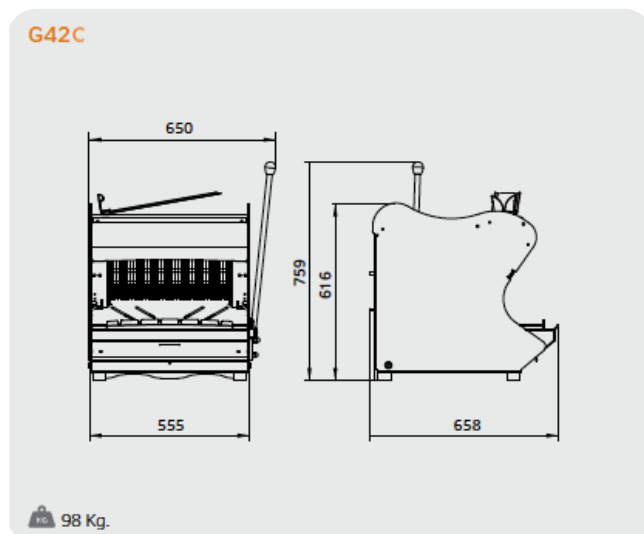
Rollmatic Samurai CP42 Automatic Bread Slicer

Automatic bench type model. Single and continuous cycle with adjustable speed. Safety photocell. Front loading. Effective and reliable for all types of bread. Suitable for bread with medium-hard crust. It can be used intensively. Slice thickness is not variable & is specified on order.



Rollmatic Samurai G42C Manual Bread Slicer

Manual bench type model. Effective and reliable bread slicer for all types of bread thanks to the option of the lubrication system. Suitable for bread with medium-hard crust. It can be used intensively. Slice thickness is not variable and is specified on order.



Rollmatic Samurai Bench Bread Slicers

Rollmatic Samurai Bench Bread Slicers Specifications

Rollmatic Samurai Bread Slicer	G42C	CP42	MR52
Loaf Passage - Width	420 - 520mm		520mm
Loaf Passage - Height	60 - 160 mm		50 - 160 mm
Slice thickness	Single thickness specified on order		
Installed Power	0.75 Kw -415V, 3 phase, 10 Amp		
Net Weight	98 kg	107 kg	420 kg
Safety Photocells	N/A	N/A	Yes