

LP Group GEA 160 Fixed Bowl Fork Mixer

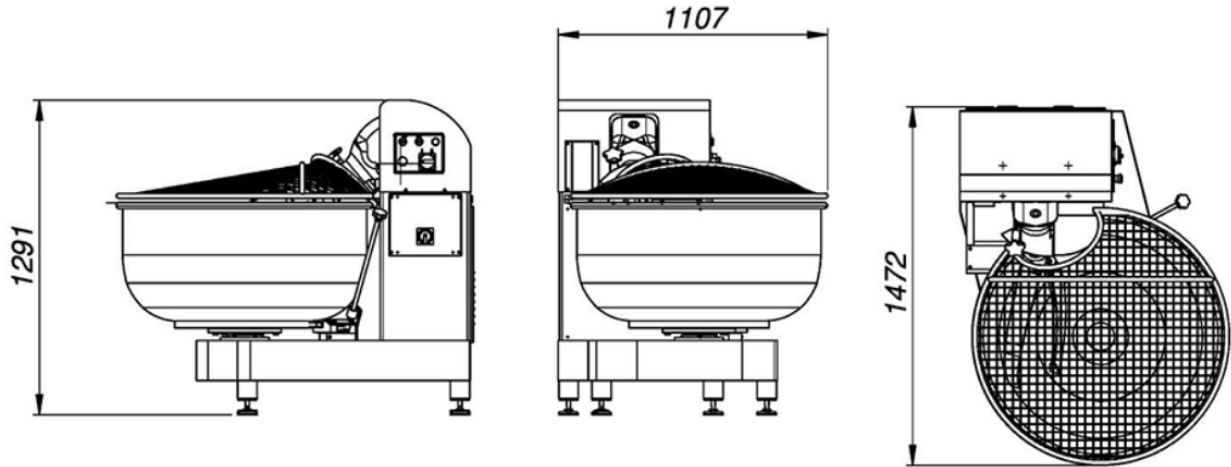
Description

- Fork mixer with fixed bowl
- Max dough capacity: 160 kg
- Fitted with 1 motor only for bowl and spiral tool
- 2 speeds on fork tool
- Sturdy body in painted steel
- Stainless steel bowl and aluminum fork suitable for contact with food
- Control panel with two speed selector
- Mobile bowl cover: grid

Line conceived for dough with hydration greater than 40-45% with European flour and for an artisan use



LP Group GEA 160 Fixed Bowl Fork Mixer



LP Group GEA 160 Fixed Bowl fork mixer Specifications

Features	Specification
Voltage	415V 3 Phase
Power	3.3 / 5.1 kW
Bowl Capacity	330 litre
Flour Capacity	100 Kg
Width	1107 mm
Depth	1472 mm
Height	1291 mm
Weighth	520 kg