



Electrolux
PROFESSIONAL

**Modular Cooking Range Line
900XP 800 mm Open Base 1
Module**

ITEM # _____

MODEL # _____

NAME # _____

SIS # _____

AIA # _____



391154 (E9BANH0000)

Open Base Cupboard, 1
module

Short Form Specification

Item No. _____

To be installed below other 900XP top units in island type installations with operations from one side. Open base to store pots, pans, sheet pans etc. Body and internal structure of unit entirely in stainless steel. Delivered with 150 mm height adjustable feet.

Main Features

- Unit can be easily installed below other 900 line top models.
- Unit delivered with 50 mm height adjustable feet in Stainless steel.
- Open base compartment for storage of pots, pans, sheet pans, etc.
- Doors with handles, drawers, heating kits and runners for GN containers can be ordered separately.

Construction

- Constructed in Stainless steel with Scotch Brite finish to meet the highest hygiene standards.
- Unit is 930 mm deep to give a larger working surface area.

APPROVAL: _____



Experience the Excellence
www.electroluxprofessional.com

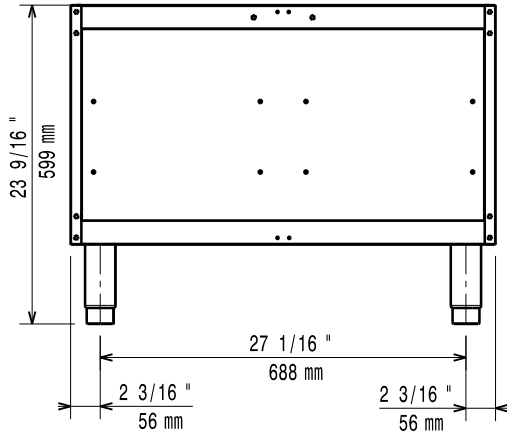
Optional Accessories

- | | | |
|---|------------|--------------------------|
| • Kit 4 wheels - 2 swivelling with brake - it is mandatory to install Base support and wheels | PNC 206135 | <input type="checkbox"/> |
| • Flanged feet kit | PNC 206136 | <input type="checkbox"/> |
| • 2 supports runners for open base cupboard 400mm for GN1/1 | PNC 206145 | <input type="checkbox"/> |
| • Frontal kicking strip for concrete installation, 800mm | PNC 206148 | <input type="checkbox"/> |
| • Frontal kicking strip for concrete installation, 1000mm | PNC 206150 | <input type="checkbox"/> |
| • Frontal kicking strip for concrete installation, 1200mm | PNC 206151 | <input type="checkbox"/> |
| • Frontal kicking strip for concrete installation, 1600mm | PNC 206152 | <input type="checkbox"/> |
| • Frontal kicking strip, 800mm (not for refr-freezer base) | PNC 206176 | <input type="checkbox"/> |
| • Frontal kicking strip, 1000mm (not for refr-freezer base) | PNC 206177 | <input type="checkbox"/> |
| • Frontal kicking strip, 1200mm (not for refr-freezer base) | PNC 206178 | <input type="checkbox"/> |
| • Frontal kicking strip, 1600mm (not for refr-freezer base) | PNC 206179 | <input type="checkbox"/> |
| • Pair of side kicking strips (not for refr-freezer base) | PNC 206180 | <input type="checkbox"/> |
| • 2 panels for service duct for single installation | PNC 206181 | <input type="checkbox"/> |
| • 2 panels for service duct for back to back installation | PNC 206202 | <input type="checkbox"/> |
| • Kit 4 feet for concrete installation (not for 900 line free standing grill) | PNC 206210 | <input type="checkbox"/> |
| • Central support for installation of drawers and grid (on 800/1200mm bases) and of doors (on 1200mm bases) | PNC 206245 | <input type="checkbox"/> |
| • Electric heating kit for cupboards | PNC 206259 | <input type="checkbox"/> |
| • 2 drawers for open base cupboards, 100mm height | PNC 206334 | <input type="checkbox"/> |
| • Door for open base cupboard | PNC 206350 | <input type="checkbox"/> |
| • 2 DRAWERS (H=100MM) BASE 900 LINE-ZAN | PNC 206361 | <input type="checkbox"/> |
| • Base support for feet or wheels - 800mm (700/900) | PNC 206367 | <input type="checkbox"/> |
| • Base support for feet or wheels - 1200mm (700/900) | PNC 206368 | <input type="checkbox"/> |
| • Base support for feet or wheels - 1600mm (700/900) | PNC 206369 | <input type="checkbox"/> |
| • Base support for feet or wheels - 2000mm (700/900) | PNC 206370 | <input type="checkbox"/> |
| • Rear paneling - 800mm (700/900) | PNC 206374 | <input type="checkbox"/> |
| • Rear paneling - 1000mm (700/900) | PNC 206375 | <input type="checkbox"/> |
| • Rear paneling - 1200mm (700/900) | PNC 206376 | <input type="checkbox"/> |
| • 2 side covering panels for free standing appliances | PNC 216134 | <input type="checkbox"/> |

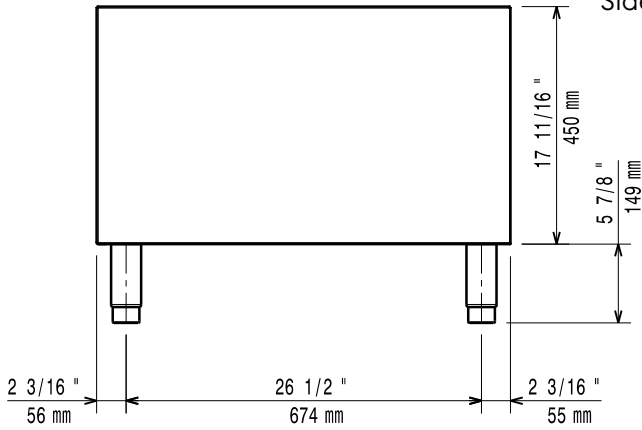
Key Information:

External dimensions, Width:	
391154 (E9BANH0000)	800 mm
External dimensions, Depth:	785 mm
External dimensions, Height:	600 mm
Net weight:	35 kg

Front



Side



Top

