

# Grates & Drains

# INDUSTRY KITCHENS

www.industrykitchens.com.au 1800 611 058

100%  
STAINLESS  
STEEL  
LEAD FREE

## Wedge Wire G200

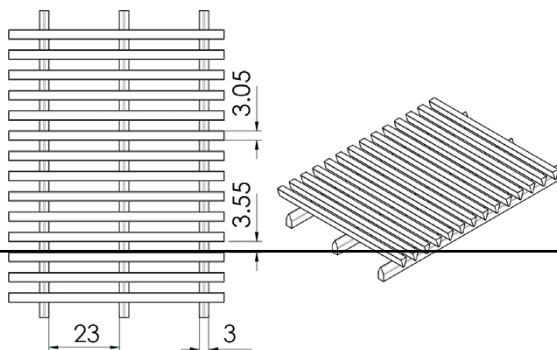
**WW-G200-304** (304 grade)

**WW-G200-316** (316 grade)

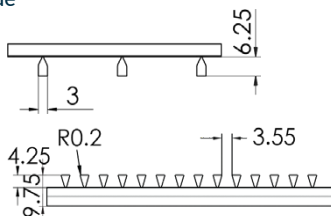
- Wire Size  
3.05mmW x 4.25mmH. Gap 3.55mm
- Support Bars  
3.00mmW x 6.25mmH. Gap 23.00mm
- Convenient sheet size minimises wastage - 2400mm x 727mm
- 304 or 316 grade stainless steel
- Versatile and long lasting
- Flat bed manufacturing technique - not rolled
- Available off the shelf



Top



Side



Bottom

