

Storage & Hardware



Stainless Steel Drawer

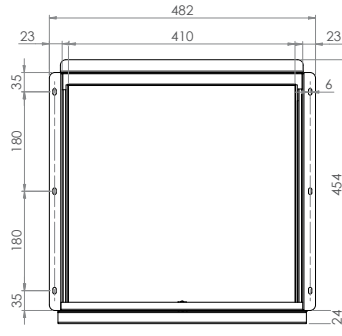


SS DRAWER

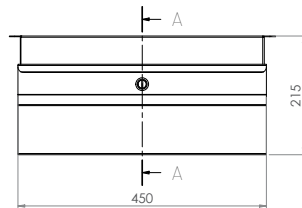
SS DRAWER-L

- Constructed from 1.2mm 304 Grade Stainless Steel
- Heavy duty drawer slides
- Drawers are available with or without a lock
- Pre-drilled fixing holes for under bench mounting
- Optional keyed alike lock

Top



Front



Cross Section

