

## Weld In Insulated Ice Well

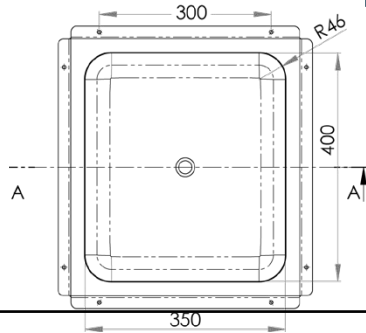
### ICE-403530

(400mm x 350mm x 300mm)

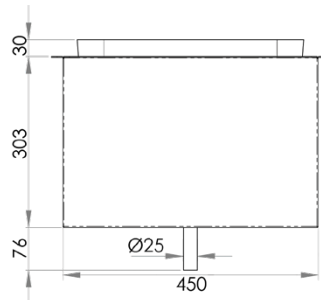
- Internal skin - constructed from 1.2mm 304 grade stainless steel
- External skin - constructed from 1.2mm 304 grade stainless steel complete with a flange for fixing
- Radius corners and cross breaks to a 25mm centre waste
- Raw edge ready for welding
- 25mm urethane injected insulation
- Ice lid and basket available (optional)
- Custom sizes available, custom made products incur a lead time



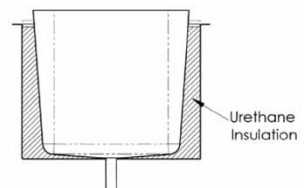
Top



Side



Cross Section



ICEL-403530  
ICEB-403530

