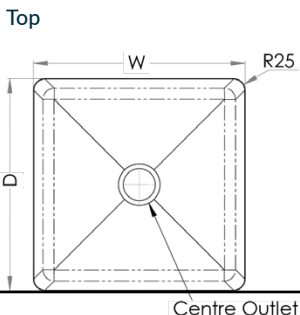


Sinks & Basins

1.2mm Hand Fabricated Economy Bowls



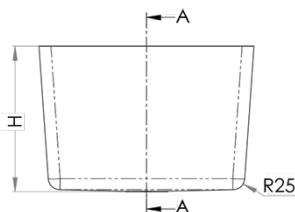
- Standard outlet sizes as per chart
- 90mm outlet available on request for HFS10 and HFS12. This outlet suits BW90S, BW90L, SSBW, SCRAP-S-90, SCRAP-S-90-316
- 127mm outlet available on request. This outlet suits SSBW-1, SCRAP-S and SCRAP-5316



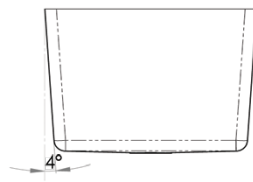
- Centre outlet
- Cross breaks to the outlet
- Raw edge ready for welding
- Sound deadening material on bottom



Front



Cross Section



1.2MM 304 GRADE STAINLESS STEEL

PRODUCT CODE	W (mm)	D (mm)	H (mm)	OUTLET	CAPACITY
HFS10	300	250	200	50	13.3L
HFS12	300	300	200	50	16.5L
HFS16	350	450	250	90	36L
HFS14	400	350	250	90	32L
HFS11	400	400	250	90	36.5L
HFS20	450	400	250	90	41.5L
HFS17	450	450	250	90	47L
HFS19	600	450	250	90	63L