

Sinks & Basins



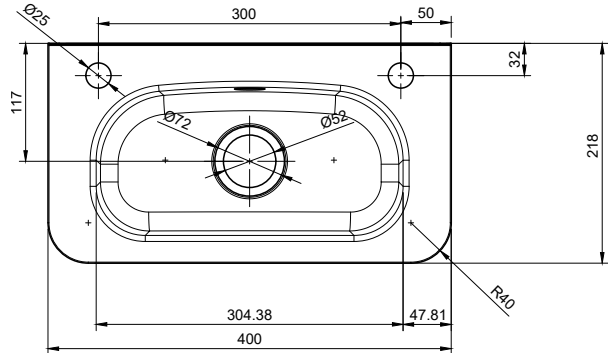
Compact Hand Basin with 2 Tap Holes and Overflow



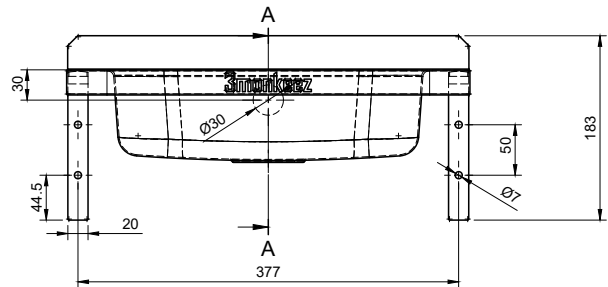
HBC-OF-2TH

- 3.4 Litre Capacity
- Constructed from 1mm 304 Grade Stainless Steel
- Radius Fascia for Safety
- 40mm Splashback
- 40mm Outlet - Suits PW40 & SSBW-40
- Comes Complete with Wall Brackets
- 2 Tapholes - Size to Be Indicated When Ordering
- Includes Overflow Hole (OFK2 Not Supplied)
- Galvanised Brackets

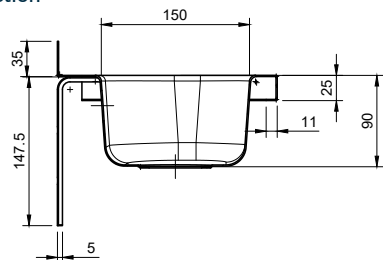
Top



Front



Cross Section



Use optional SAFETEE-STRIP for no sharp edges