

# Grates & Drains



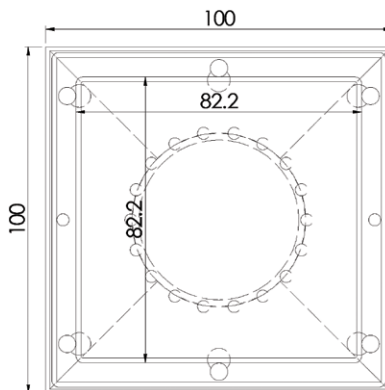
## 100mm Square Tile Insert Point Drain

**FW-100TI-50** (50mm outlet)

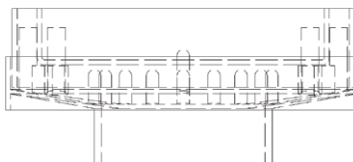
- Slimline for easy installation
- Removable tray



Top



Front



Cross Section

