

Sinks & Basins

**INDUSTRY
KITCHENS**

www.industrykitchens.com.au 1800 611 058



Conical Flushing Rim Sink - 350mm

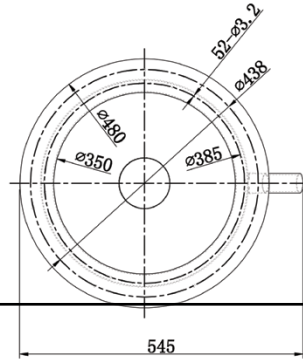
FRSC-DI350-304

FRSC-DI350-316

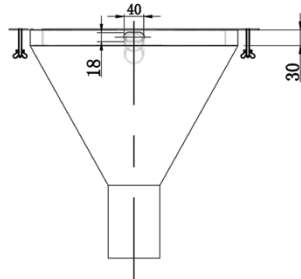
- Available in 1.2mm 304 grade or 316 grade stainless steel
- Integral flange around top of bowl
- 25mm BSP female inlet
- Concealed 25mm diameter flushing rim
- 100mm dropper waste



Top



Front



Side

